



PIDG

TE Internal #: 53073

PIDG, Ring Terminals & Spade Terminals, Ring Tongue, 26 –
24AWG Wire Size, .12 – .24mm² Wire Size, 202 – 509CMA Wire Size,
M3.5 / #6

[View on TE.com >](#)

Terminals & Splices > Ring Terminals & Spade Terminals > PIDG RING TONGUE TERMINALS

Terminal & Splice Type: **Ring Tongue**Wire Size: **202 – 509 CMA**Ring & Spade Stud Size: **#6, M3.5**
[All PIDG RING TONGUE TERMINALS \(422\)](#)

Features

Product Type Features

Shape Description	RING-041
Ring & Spade Stud Size	#6, M3.5
Ring & Spade Barrel Type	Closed Barrel
Sealable	No
Insulated	Yes
Ring & Spade Wire/Cable Type	Regular Wire
Support Style	Insulation Support

Configuration Features

Number of Holes	1
Terminal Angle	Straight

Electrical Characteristics

Voltage (Max)	300 V
---------------	-------

Body Features

Inspection Slot	No
Insulation Sleeve Color	Yellow
Stripe Color	Yellow
Ring & Spade Plating Material	Copper, Tin

Contact Features

Military Part Class	Class I
Terminal & Splice Type	Ring Tongue
Ring & Spade Terminal Orientation	Straight

Mechanical Attachment

Wire Insulation Support	With
-------------------------	------

Dimensions

Wire Size	202 – 509 CMA
Stud Diameter	3.51 mm[.138 in]
Tongue Thickness	.79 mm[.031 in]
Ring & Spade Overall Length	20.1 mm[.792 in]
Ring & Spade Wire Insulation Diameter (Max)	2.08 mm[.082 in]
Ring & Spade Wire Insulation Diameter	.81 – 2.08 mm[.032 – .082 in]

Usage Conditions

Insulation Requirement	Partially Insulated
Operating Temperature Range	105 °C[221 °F]

Operation/Application

Heavy Duty	No
------------	----

Industry Standards

Government Qualified	Yes
----------------------	-----

Packaging Features

Packaging Quantity	1000
Ring & Spade Packaging Method	Loose Piece

Other

Comment	Must be crimped with a 22-18 or 22-16 PIDG (red) tool.
---------	--------------------------------------------------------

Product Compliance

[For compliance documentation, visit the product page on TE.com>](#)

EU RoHS Directive 2011/65/EU	Compliant
EU ELV Directive 2000/53/EC	Compliant
China RoHS 2 Directive MIIT Order No 32, 2016	No Restricted Materials Above Threshold
EU REACH Regulation (EC) No. 1907/2006	Current ECHA Candidate List: JAN 2021 (211)



Candidate List Declared Against: JAN 2021 (211)

Does not contain REACH SVHC

Halogen Content

Low Halogen - Br, Cl, F, I < 900 ppm per homogenous material. Also BFR/CFR/PVC Free

Solder Process Capability

Not applicable for solder process capability

Product Compliance Disclaimer

This information is provided based on reasonable inquiry of our suppliers and represents our current actual knowledge based on the information they provided. This information is subject to change. The part numbers that TE has identified as EU RoHS compliant have a maximum concentration of 0.1% by weight in homogenous materials for lead, hexavalent chromium, mercury, PBB, PBDE, DBP, BBP, DEHP, DIBP, and 0.01% for cadmium, or qualify for an exemption to these limits as defined in the Annexes of Directive 2011/65/EU (RoHS2). Finished electrical and electronic equipment products will be CE marked as required by Directive 2011/65/EU. Components may not be CE marked. Additionally, the part numbers that TE has identified as EU ELV compliant have a maximum concentration of 0.1% by weight in homogenous materials for lead, hexavalent chromium, and mercury, and 0.01% for cadmium, or qualify for an exemption to these limits as defined in the Annexes of Directive 2000/53/EC (ELV). Regarding the REACH Regulation, the information TE provides on SVHC in articles for this part number is based on the latest European Chemicals Agency (ECHA) 'Guidance on requirements for substances in articles' posted at this URL: <https://echa.europa.eu/guidance-documents/guidance-on-reach>

Compatible Parts



REPRESENTATION ONLY

TE Part # 47386
DAHT PG PIDG 26-16 ASSY



TE Part # 59250
T-HEAD PIDG 26-14 ASSY



TE Part # 2063030-1
SDE DIESET, RBY, UL



TE Part # 47806-2
DIES PIDG 22-16 DIE SET



REPRESENTATION ONLY

TE Part # 47386-5
DAHT PG PIDG 26-16 ASSY

Also in the Series | **PIDG**



Compression Connectors(17)



Crimp Terminal Housings(1)



Crimp Wire Pins, Tabs & Ferrules(41)



Knife Disconnects(11)



PCB Terminals(9)



Portable Crimp Tools(2)



Quick Disconnects(53)



Ring Terminals & Spade Terminals(862)



Special Purpose Terminals(1)



Splices(48)

Customers Also Bought



TE Part #205560-2
AMPLIMITE,ASY,PLUG,STD,109,3



TE Part #205559-2
RECEPT ASSY,25 POSN,AMPLIMITE



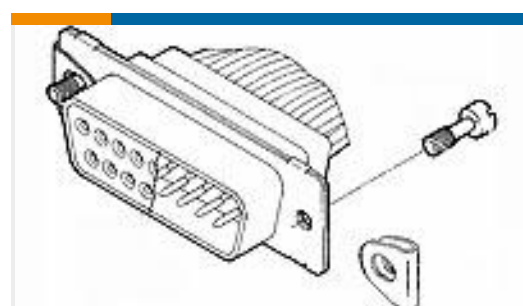
TE Part #205555-2
AMPLIMITE,ASY,RCPT,STD,109,1



TE Part #2560-201-2031L
CONT PIN



TE Part #1618241-5
K81A235=RELAY, VACUUM, SPST-NO



TE Part #211883-5
SCREW RETAINER KIT,AMPLIMITE



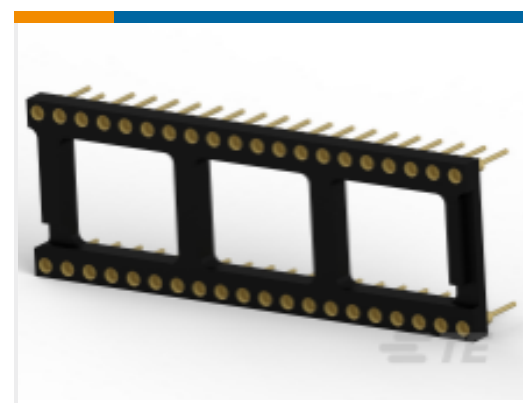
TE Part #2102098-2
Fortis Zd 2Pr 20Col Vert Cent Mod
Assy



TE Part #2-179694-3
AMP COMMON TERMINATION
HOUSINGS



TE Part #YDTS32F21NV0010000
DUST COVER ASSEM



TE Part #2-1437537-1
DIP Socket: Standard, Screw Machine,
Open, Gold

Documents

Product Drawings

[TERMINAL,PIDG R 26-24 6](#)

English

CAD Files

[3D PDF](#)

3D

Customer View Model

[ENG_CVM_CVM_53073_F.2d_dxf.zip](#)

English

Customer View Model

[ENG_CVM_CVM_53073_F.3d_igs.zip](#)

English

Customer View Model

[ENG_CVM_CVM_53073_F.3d_stp.zip](#)

English

By downloading the CAD file I accept and agree to the [Terms and Conditions](#) of use.

Datasheets & Catalog Pages

[PIDG TERMINALS & SPLICES Quick Reference Guide](#)

English

Product Specifications

[Application Specification](#)

English

Product Environmental Compliance

[TE Material Declaration](#)

English