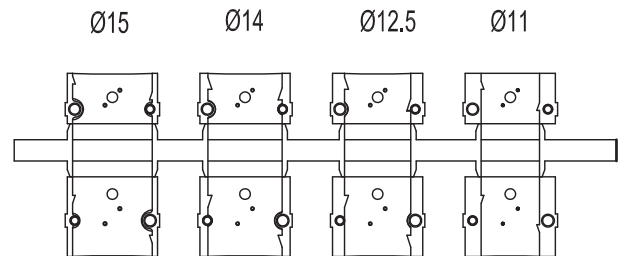
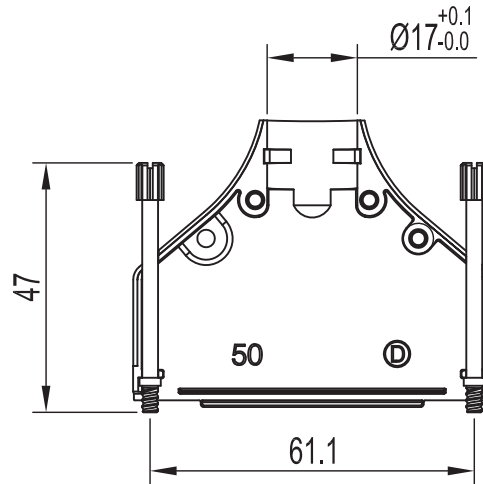
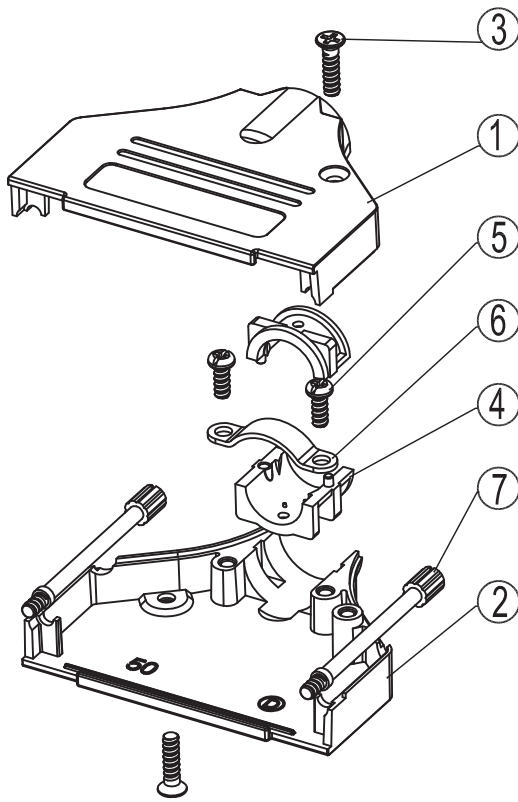
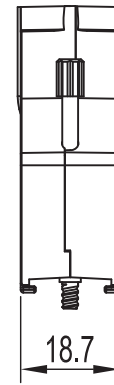
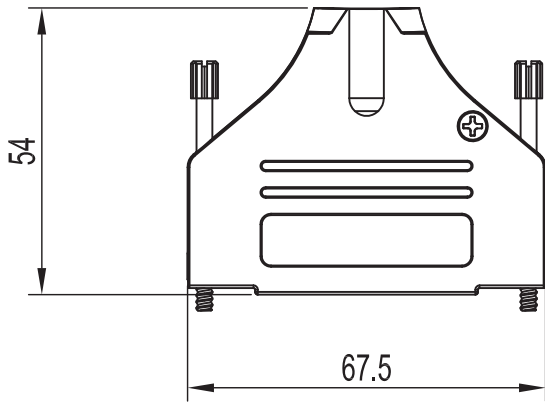


No.	Changes and/or Note No.	Date	Intr	No	Changes and/or Note No.	Date	Intr



Grommet Set

Part Number:	Description:	Pack:	Item	QTY	Part description
			1	1	DTZK50-Upper cover
6560-0105-05	DTZK50-K	Kit	2	1	DTZK50-Lower cover
			3	2	M3X12 Countersunk screw
6561-0105-05	DTZK50	Bulk	4	1	D45ZK-D3 Grommet set
			5	2	M3X8 Posi screw
			6	1	Cable Clamp
			7	2	UNC 4-40X47 Jackscrew

DATE: 2011-12-12	DRAWN: MRR	SCALE:	MATERIAL TYPE:	GENERAL TOLERANCES UNLESS OTHERWISE STATED LINEAR 0 ±0.2 0.0 ±0.15 0.00 ±0.1 ANGULAR ±0°30' ALL DIMENSIONS IN mm THIRD ANGLE PROJECTION
	APPROVED:		REPLACES:	

	DTZK-SERIES		DRAWING No:	6688-9564