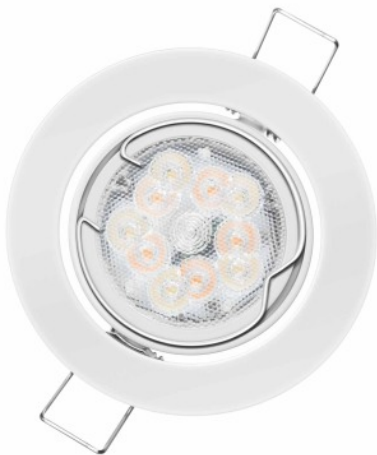


LIGHTIFY Downlight TW

LED retrofit lamps with LIGHTIFY technology, color temperature adjustable, classic bulb shape



Areas of application

- General indoor illumination
- Hospitality

Product benefits

- Controllable via smart devices (via Android and iOS)
- Complete LIGHTIFY function
- Easy to install and use
- Contains no mercury

Product features

- Downlight with LIGHTIFY PAR16 Tunable White lamp with smart lighting function
- Adjustable color temperature via Tunable White: 2,700...6,500 K
- Dimmable via LIGHTIFY
- Color rendering index R_a : 80...89



Product family datasheet

Technical data

Electrical data

Product description	Nominal wattage	Nominal voltage
LIGHTIFY Downlight TW	6.6 W	230 V

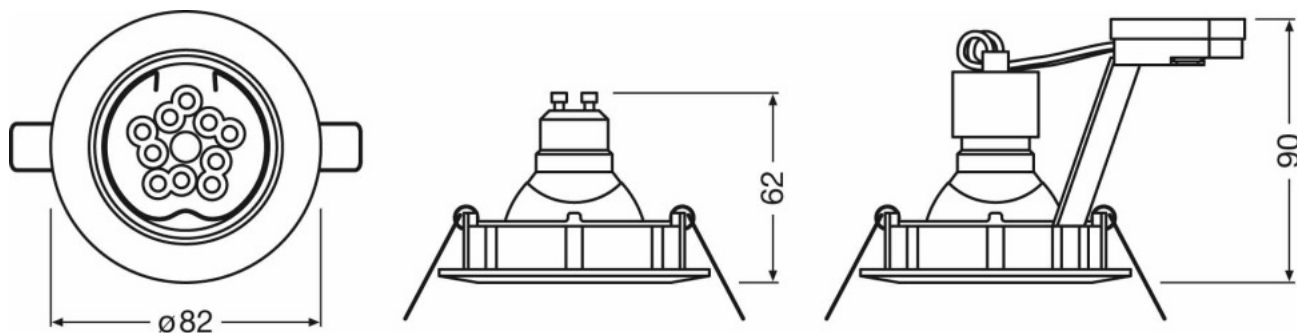
Photometrical data

Product description	Color temperature	Luminous flux
LIGHTIFY Downlight TW	2700...6500 K	58 lm

Dimensions & weight

Product description	Diameter	Height
LIGHTIFY Downlight TW	82.0 mm	90.0 mm

Product line drawing



LIGHTIFY Downlight TW

Product family datasheet

Temperatures

Product description	Ambient temperature range
LIGHTIFY Downlight TW	-20...+40 °C

Capabilities

Product description	Type of installation	Dimmable
LIGHTIFY Downlight TW	Recessed	Yes ¹⁾

¹⁾ Via Lightify function

Certificates & standards

Product description	Protection class	Type of protection
LIGHTIFY Downlight TW	II	IP23

Country specific categorizations

Product description	Order reference
LIGHTIFY Downlight TW	LIGHTIFY DOWNLI

Equipment / Accessories

- LIGHTIFY APP required
- LIGHTIFY Gateway required

Application advice

For more detailed application information and graphics please see product datasheet.

Sales and Technical Support

Sales and Technical Support www.osram.com

Logistical Data

Product code	Product description	Packaging unit (Pieces/Unit)	Dimensions (length x width x height)	Volume	Gross weight
4052899926141	LIGHTIFY Downlight TW	Shipping carton box 4	212 mm x 196 mm x 151 mm	6.27 dm ³	1300.00 g

Product family datasheet

Product code	Product description	Packaging unit (Pieces/Unit)	Dimensions (length x width x height)	Volume	Gross weight
--------------	---------------------	------------------------------	--------------------------------------	--------	--------------

The mentioned product code describes the smallest quantity unit which can be ordered. One shipping unit can contain one or more single products. When placing an order, for the quantity please enter single or multiples of a shipping unit.

Disclaimer

Subject to change without notice. Errors and omission excepted. Always make sure to use the most recent release.