

# Desktop enclosure

black 101 x 54 x 41.7 mm ABS



## FEATURES:

PCB mounting: Horizontal and Vertical

Made of impact and heat resistant plastic UL-94-HB standard

## SPECIFICATION:

Dimensions L x W x H 101 x 54 x 41.7 mm

Material ABS

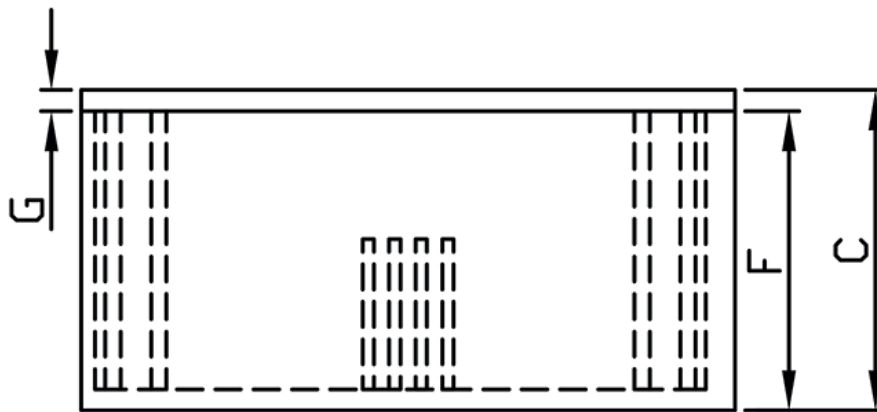
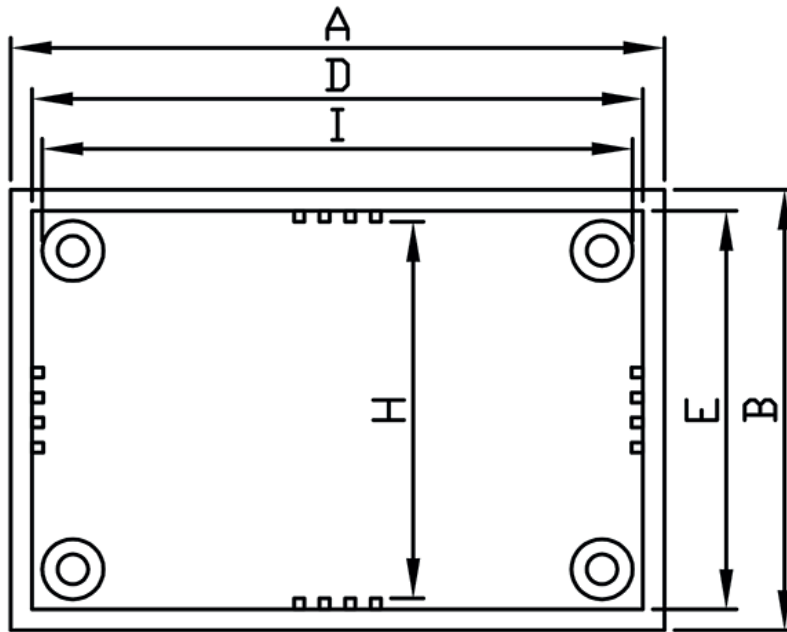
Colour black

Front panel Aluminium 1 mm



Art. Nr.

RND 455-00101



Part No.	A	B	C	D	E	F	G	H	I
RND-455-00100	64	44	32	59.8	39.8	29.9	2.1	37.6	57.8
RND-455-00101	101	54	43.8	96.7	49.7	41.7	2.1	47.5	94.7
RND-455-00102	129	64	44	123.8	58.8	41.9	2.1	56.6	121.8
RND-455-00103	151	90	53.2	145	84	50.9	2.3	81.8	143
RND-455-00104	189	113	66.6	184	108	63.9	2.7	105.8	182