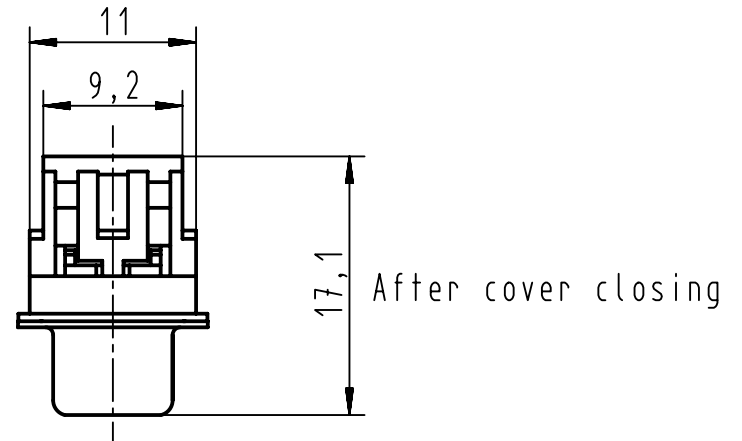
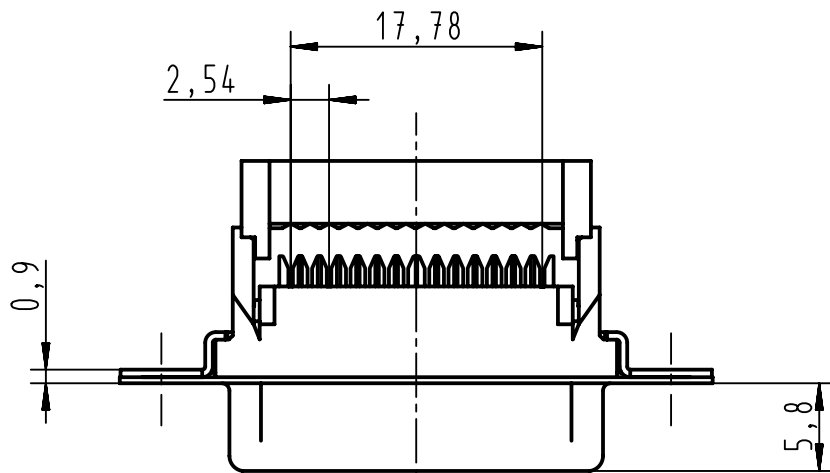
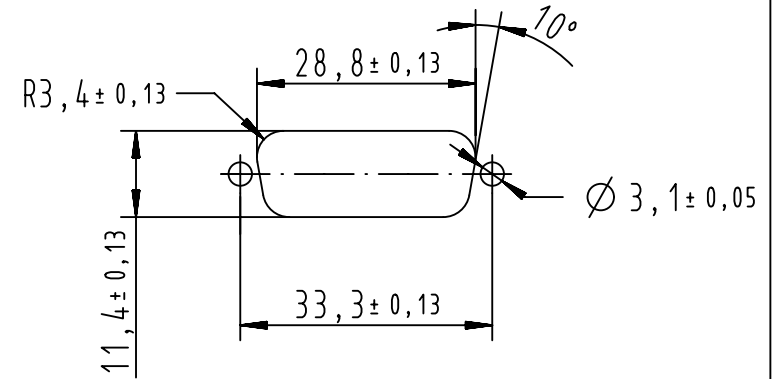
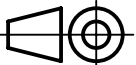



Recommended panel cutout dimensions
 for rear mounting
 According to CECC 75 301-802



 All Dimensions in mm Original Size DIN A4		Scale 2:1	Free size tol.		Ref. Sub.
 All rights reserved Department EC PD - FR		Created by DOUGE	Inspected by BAGDIKIAN	Standardisation HOFFMANN	Date 2013-04-23
HARTING Electronics GmbH D-32339 Espelkamp		Title D-Sub IDC 15P female straight			Doc-Key / ECM-Nr. 100527183/UGD/001/A 500000058439
D	09662187500	PL3	Type TB	Number 0966218X500	Rev. A
	09662186500	PL2			Page 1/1
	Part number	Performance level			