

# FC234, FC300, FC350, FC355, 1503, 2651/2652, 26U51B

Fittings  
Medium  
Pressure

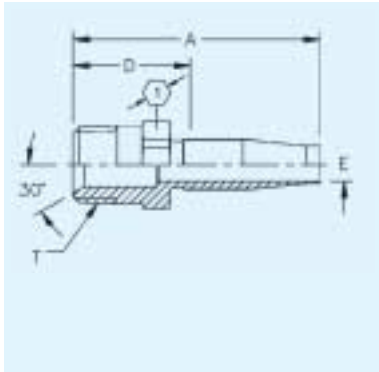
Mitteldruck-  
armaturen

Embouts  
moyenne  
pression

Raccordi  
media pressione

Racores  
medias  
presiones

44



## NPTF Male Pipe

## Außengewinde- stutzen, NPTF

## Mâle NPTF

## Maschio NPTF

## Macho NPTF

Part Number	Thread T	Flange Tube O.D. mm	Hose ND	Hose Size	A mm	D mm	H mm	E Ø mm	K Ø mm	R Ø mm	HEX [1]	HEX [2]	Nut
2412-2-4S	1/8-27		5	-4	43	26		3					11,1
2412-4-4S	1/4-18		5	-4	48	31		3					14,2
2412-4-5S	1/4-18		6	-5	50	29		4					14,2
2412-4-6S	1/4-18		8	-6	54	33		6					14,2
2412-6-6S	3/8-18		8	-6	54	33		6					17,5
2412-6-8S	3/8-18		10	-8	63	36		9					17,5
2412-8-8S	1/2-14		10	-8	70	43		9					22,3
2412-8-10S	1/2-14		12	-10	73	41		12					22,3
2412-8-12S	1/2-14		16	-12	82	44		13					22,3
2412-12-12S	3/4-14		16	-12	82	44		14					26,9
1252-12-16S	3/4-14		19	-16	71	42		18					25,8
1252-16-16S	1 -11 1/4		19	-16	76	47		21					25,8
1252-20-20S	1 1/4-11 1/2		25	-20	82	49		26,7					44,4
1252-24-24S	1 1/2-11 1/2		31	-24	88	53		33					50,8
1252-32-32S	2 -11 1/2		38	-32	103	56		44					61,9
G1252-40-40	2 1/2-8		60	-40	116	68		56					75
G1252-48-48	3 -8		80	-48	125	78		71					90

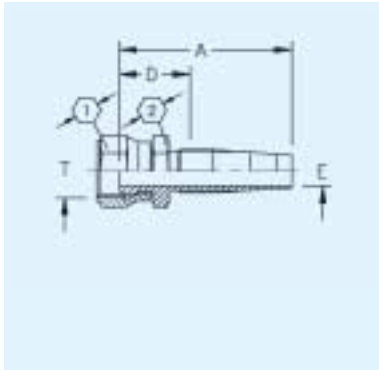
## BSP Female Swivel

## BSP-Dichtkopf

## Globeseal BSP

## Femmina girevole gas

## Hembra loca BSP



Part Number	Thread T	Flange Tube O.D. mm	Hose ND	Hose Size	A mm	D mm	H mm	E Ø mm	K Ø mm	R Ø mm	HEX [1]	HEX [2]	Nut
11.421-4-4	G 1/4"		5	-4	46	29		3					17 17
11.421-6-6	G 3/8"		8	-6	54	31		6					22 22
11.421-8-8	G 1/2"		10	-8	62	35		9					27 27
11.421-10-10	G 5/8"		12	-10	67	35		12					27 27
11.421-12-12	G 3/4"		16	-12	77	38		14					32 32
11.421-16-16	G 1"		19	-16	66	36		21					41 41
11.421-20-20	G 1 1/4"		25	-20	70	37		27					50 50
11.421-24-24	G 1 1/2"		31	-24	77	42		33					55 55
11.421-32-32	G 2"		38	-32	90	43		45					70 70

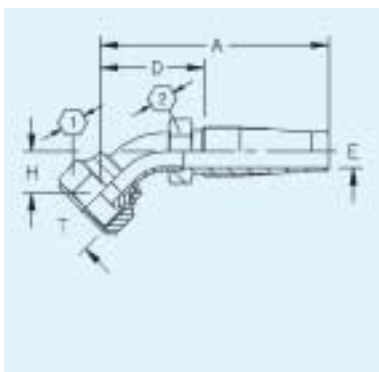
## BSP Female Swivel, 45° Elbow

## BSP-Dichtkopf, 45° Krümmer

## Globeseal BSP coudé 45°

## Femmina girevole a 45°, gas

## Hembra loca BSP acodado a 45°



Part Number	Thread T	Flange Tube O.D. mm	Hose ND	Hose Size	A mm	D mm	H mm	E Ø mm	K Ø mm	R Ø mm	HEX [1]	HEX [2]	Nut
11.045-4-4	G 1/4"		5	-4	54	37	12	3					17 12
11.045-6-6	G 3/8"		8	-6	65	44	15	6					22 14
11.045-8-8	G 1/2"		10	-8	73	46	15	9					27 17
11.045-10-10	G 5/8"		12	-10	81	49	17	11					27 19
11.045-12-12	G 3/4"		16	-12	104	65	23	14					32 24
11.045-16-16	G 1"		20	-16	114	85	32	20,5					41 30
11.045-20-20	G 1 1/4"		25	-20	101	67	25	26,5					50 36
11.045-24-24	G 1 1/2"		32	-24	110	75	30	32,5					55 46
11.045-32-32	G 2"		40	-32	141	94	37	44,5					70 55