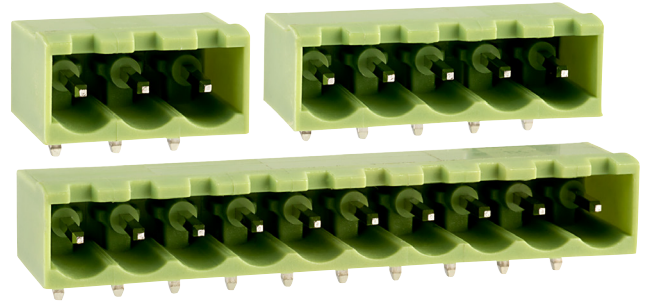


5.08mm Header Side Entry Closed 15A Terminal Blocks

Specifications

Pitch:	5.08mm
Type:	Horizontal, Closed-ended
Poles:	2 to 12
Rated Voltage:	See Table
Rated Current:	See Table
Operational Temperature:	-40°C to +105°C
Withstand Voltage:	2500V AC for 60s
Insulation Resistance:	500MΩ at 500V DC
Wave Soldering:	260°C for 5s
Hand Soldering:	350°C for 10s

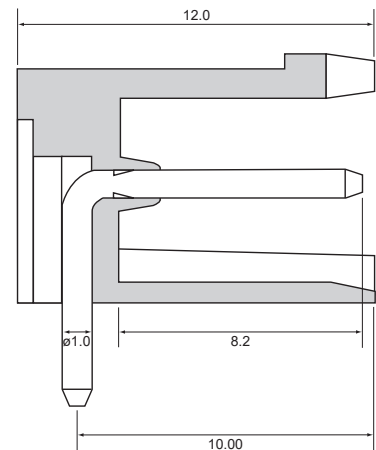
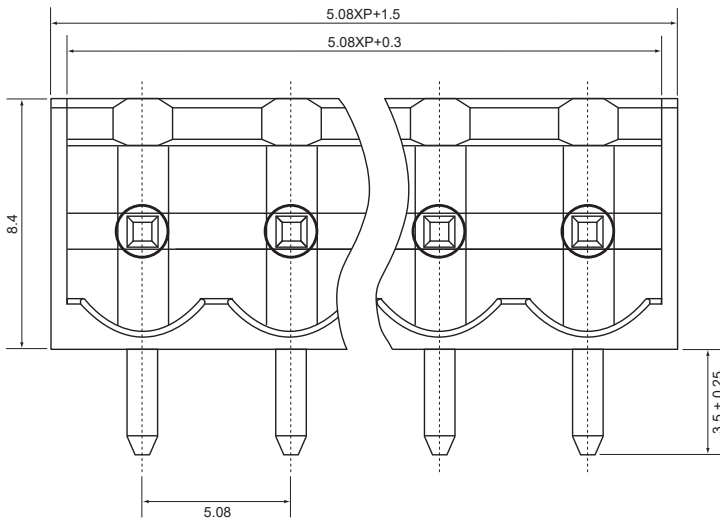


Colour and Materials

Housing Colour:	Green
Housing Material:	PA66
Flame Retardancy:	UL94-V0
Pin Header:	Tin-plated brass

Order Code	Poles	Order Code	Poles
21-2864	2	21-2869	8
21-2865	3	21-2952	9
21-2866	4	21-2870	10
21-2867	5	21-2953	11
21-2868	6	21-2871	12
21-2951	7		

Standard	Rated Voltage	Rated Current
UL	300V	15A
IEC	320V	20A



Measurements are in mm unless stated otherwise.

For further information on pricing, delivery, and long-term stock agreements please get in touch with your local business development contact. Telephone our main office on **01206 838000** or email Sales@Rapidonline.com.

The information contained in this datasheet is subject to change without notice and replaces all data sheets previously supplied.

