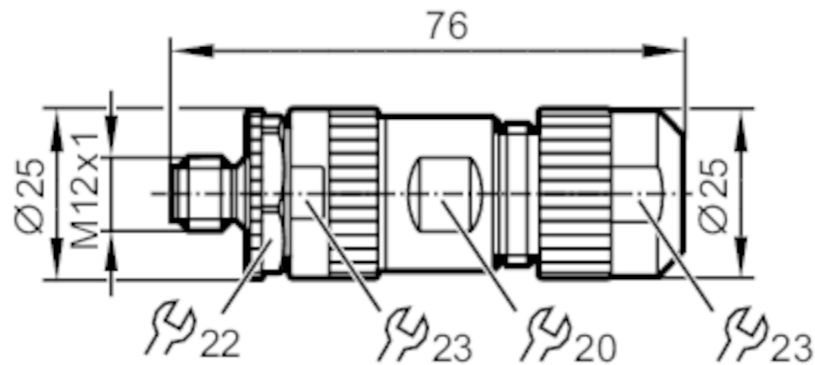


E12673



Wirable plug

SSTGX050ZDSFKPG



Application

Special feature Gold-plated contacts

Electrical data

Operating voltage [V] < 63 DC
Max. current load total [A] 16

Operating conditions

Ambient temperature [°C] -40...85
Protection IP 67

Mechanical data

Weight [g] 54.2
Dimensions [mm] Ø 25 / L = 76
Materials PA
Material nut diecast zinc , nickel-plated
Length [mm] 76

Remarks

Pack quantity 1 pcs.

Electrical connection

screw terminals: 1.5...2.5 mm²; Cable sheath: Ø 8...13 mm

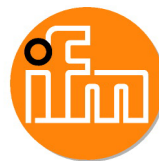
Electrical connection - plug

Connector: 1 x M12, straight; Moulded body: PA; Locking: diecast zinc , nickel-plated; Contacts: gold-plated

E12673

Wirable plug

SSTGX050ZDSFKPG



Connection

