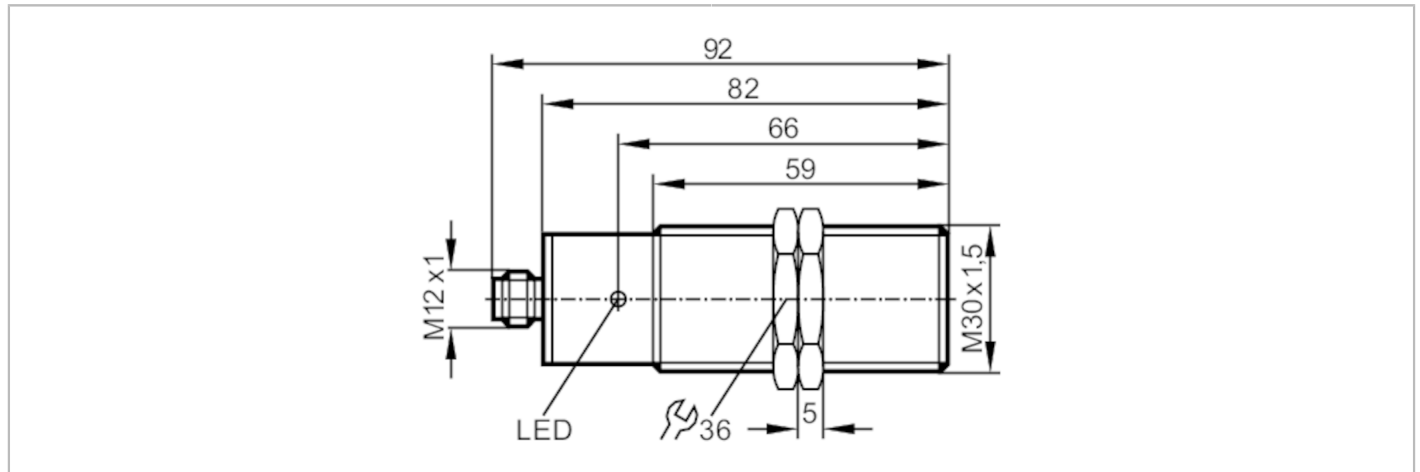




Inductive sensor

IIA3010-APKG/US-100-DPO



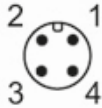
| Product characteristics | | |
|---|------|--------------------|
| Electrical design | | PNP |
| Output function | | normally closed |
| Sensing range | [mm] | 10 |
| Housing | | threaded type |
| Dimensions | [mm] | M30 x 1.5 / L = 92 |
| Electrical data | | |
| Operating voltage | [V] | 10...36 DC |
| Current consumption | [mA] | 15; (24 V) |
| Protection class | | II |
| Reverse polarity protection | | yes |
| Outputs | | |
| Electrical design | | PNP |
| Output function | | normally closed |
| Max. voltage drop switching output DC | [V] | 2.5 |
| Permanent current rating of switching output DC | [mA] | 250 |
| Switching frequency DC | [Hz] | 250 |
| Short-circuit protection | | yes |
| Type of short-circuit protection | | pulsed |
| Overload protection | | yes |
| Detection zone | | |
| Sensing range | [mm] | 10 |
| Real sensing range Sr | [mm] | 10 ± 10 % |
| Operating distance | [mm] | 0...8.1 |

II5448



Inductive sensor

IIA3010-APKG/US-100-DPO

| Accuracy / deviations | | |
|---|---|-----------------|
| Correction factor | steel: 1 / stainless steel: 0.7 / brass: 0.4 / aluminium: 0.3 / copper: 0.2 | |
| Hysteresis [% of Sr] | 1...15 | |
| Switch point drift [% of Sr] | -10...10 | |
| Operating conditions | | |
| Ambient temperature [°C] | -25...80 | |
| Protection | IP 67 | |
| Tests / approvals | | |
| EMC | EN 60947-5-2 | |
| | EN 55011 | class B |
| MTTF [years] | 1844 | |
| UL approval | Ta | -25...80 °C |
| | Enclosure type | Type 1 |
| | voltage supply | Class 2 |
| | File number UL | E174191 |
| Mechanical data | | |
| Weight [g] | 165 | |
| Housing | threaded type | |
| Mounting | flush mountable | |
| Dimensions [mm] | M30 x 1.5 / L = 92 | |
| Thread designation | M30 x 1.5 | |
| Materials | brass nickel-plated; sensing face: PBT | |
| Displays / operating elements | | |
| Display | switching status | 1 x LED, yellow |
| Accessories | | |
| Accessories (supplied) | lock nuts: 2 | |
| Remarks | | |
| Pack quantity | 1 pcs. | |
| Electrical connection - plug | | |
| Connector: 1 x M12 | | |
|  | | |

II5448



Inductive sensor

IIA3010-APKG/US-100-DPO

Connection

