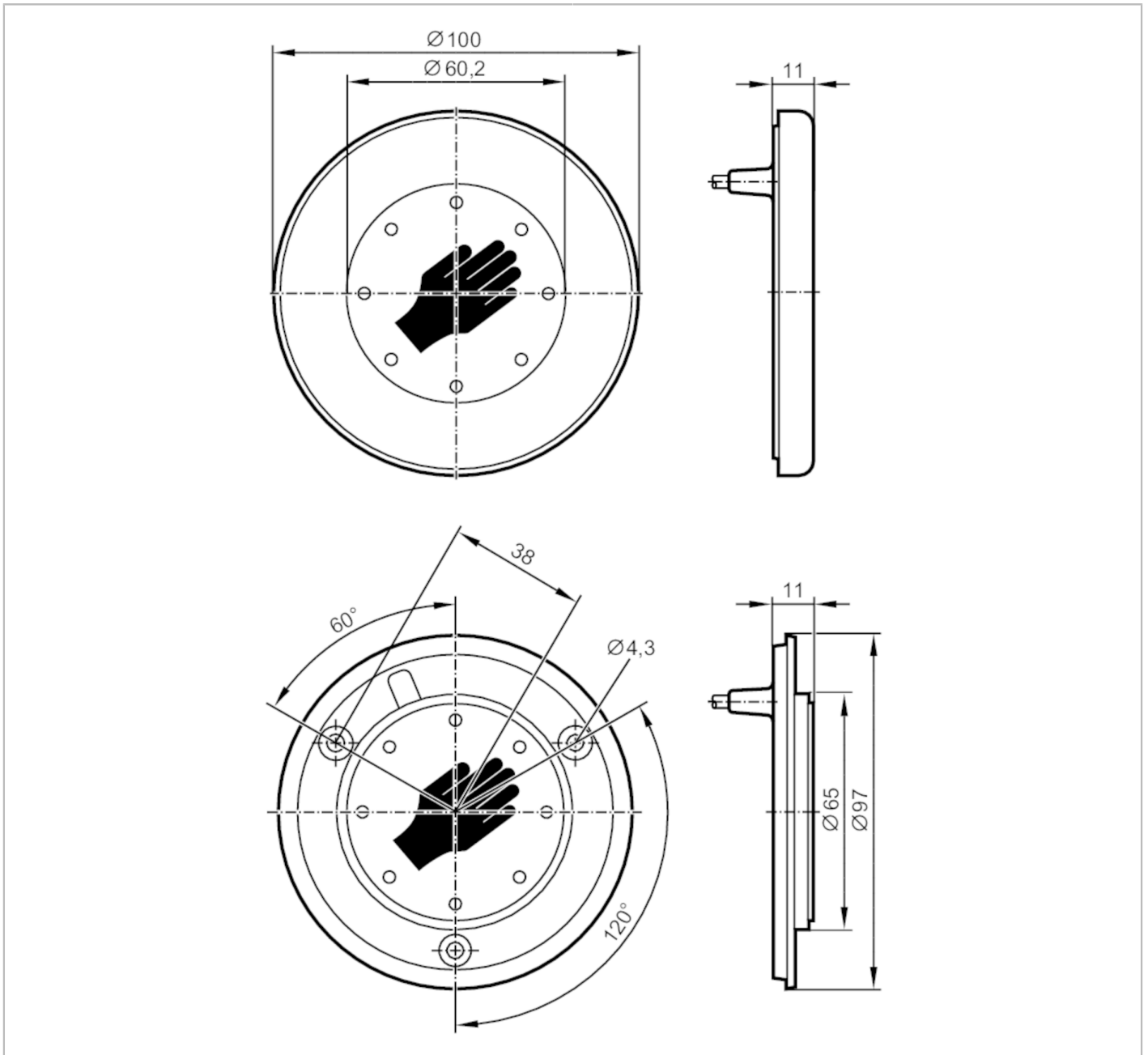


# KT5006



## Capacitive touch sensor

KTRSHMK-RBPKG/AM/AS/0,3M



### Product characteristics

Electrical design	PNP
Output function	normally open
Dimensions [mm]	Ø 100 / L = 11

### Application

Operating principle	static
---------------------	--------

# KT5006



## Capacitive touch sensor

KTRSHMK-RBPKG/AM/AS/0,3M

Electrical data		
Operating voltage	[V]	12...30 DC
Current consumption	[mA]	30
Protection class		III
Reverse polarity protection		yes
Max. power-on delay time	[ms]	500
Outputs		
Electrical design		PNP
Output function		normally open
Permanent current rating of switching output DC	[mA]	200
Short-circuit proof		yes
Overload protection		yes
Response times		
Response time	[ms]	35
Operating conditions		
Ambient temperature	[°C]	-40...85
Protection		IP 67; IP 69K; (on the front)
Tests / approvals		
MTTF	[years]	394
Mechanical data		
Weight	[g]	131
Dimensions	[mm]	Ø 100 / L = 11
Materials		active face: PA Grilamid TR 90UV transparent; housing: PC/ABS black; Coloured surround: PC/ABS green
Displays / operating elements		
Display	switching status	8 x LED, red
	operation	8 x LED, green
Accessories		
Accessories (optional)		surround in different colours
Remarks		
Pack quantity		1 pcs.
Electrical connection - plug		
Cable: 0.3 m, PUR		
Connector: 1 x M8		

# KT5006



## Capacitive touch sensor

KTRSHMK-RBPKG/AM/AS/0,3M

### Connection

