

MSUD valve plug form A 18mm with cable

PUR 3x0.75 bk UL/CSA 30m

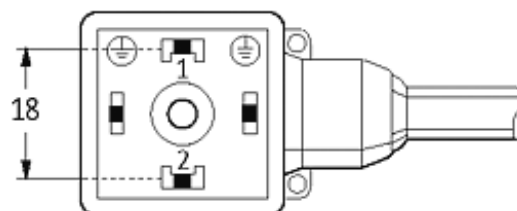
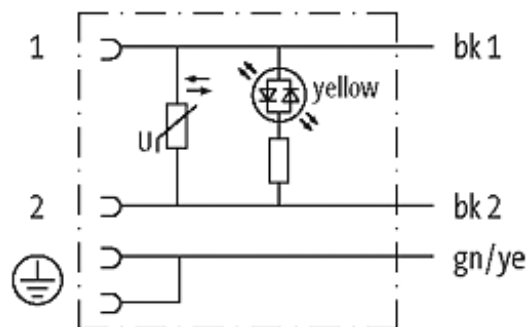
Form A (18 mm)

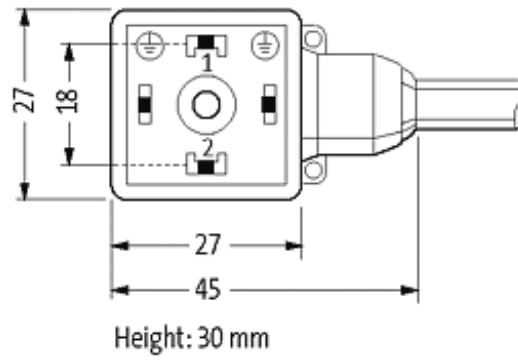
230 V AC/DC with LED and suppression

Further cable lengths on request. Plastic housings with good resistance against chemicals and oils. The resistance to aggressive media should be individually tested for your application. Further details on request.

[Link to Product](#)

Illustration





Product may differ from Image