

Actuator head for position switch 3SE51/52 Roller level, form E, with stainless steel lever and stainless steel roller 13 mm acc. to EN 50047 suitable for -40 degrees



Figure similar

General technical data	
<b>Product function</b>	
<ul style="list-style-type: none"> <li>• positive opening</li> </ul>	Yes
<b>Shock resistance</b>	
<ul style="list-style-type: none"> <li>• acc. to IEC 60068-2-27</li> <li>• for railway applications acc. to DIN EN 61373</li> </ul>	30 g / 11 ms Category 1, Class B
<b>Vibration resistance</b>	
<ul style="list-style-type: none"> <li>• acc. to IEC 60068-2-6</li> <li>• for railway applications acc. to DIN EN 61373</li> </ul>	0.35 mm/5g Category 1, Class B
<b>Mechanical service life (switching cycles)</b>	
<ul style="list-style-type: none"> <li>• typical</li> </ul>	15 000 000
<b>Equipment marking</b>	
<ul style="list-style-type: none"> <li>• acc. to DIN EN 61346-2</li> <li>• acc. to DIN EN 81346-2</li> </ul>	T T
<b>Active principle</b>	mechanical
<b>Minimum actuating force in activation direction</b>	10 N
Enclosure	

Coating of the enclosure	Other types
--------------------------	-------------

### Drive Head

Design of the operating mechanism	Roller lever, high-grade steel lever, high-grade steel roller
Standard-compliant actuator head	EN 50047, design E
Shape of the switch head	roller
Outer diameter of the switch head	13 mm

### Communication/ Protocol

Design of the interface	without
-------------------------	---------





### Ambient conditions

Ambient temperature	
<ul style="list-style-type: none"> <li>during operation</li> </ul>	-40 ... +85 °C
<ul style="list-style-type: none"> <li>during storage</li> </ul>	-40 ... +90 °C

### Installation/ mounting/ dimensions

Mounting position	any
Mounting type	lockable plug-in fixing

### Certificates/approvals

General Product Approval	Declaration of Conformity	Test Certificates	other
 CSA	 UR		 EG-Konf.
		<a href="#">Special Test Certificate</a>	<a href="#">Confirmation</a>

### Further information

**Information- and Downloadcenter (Catalogs, Brochures,...)**

<http://www.siemens.com/industrial-controls/catalogs>

**Industry Mall (Online ordering system)**

<https://mall.industry.siemens.com/mall/en/en/Catalog/product?mlfb=3SE5000-0AE13-1AJ0>

**Cax online generator**

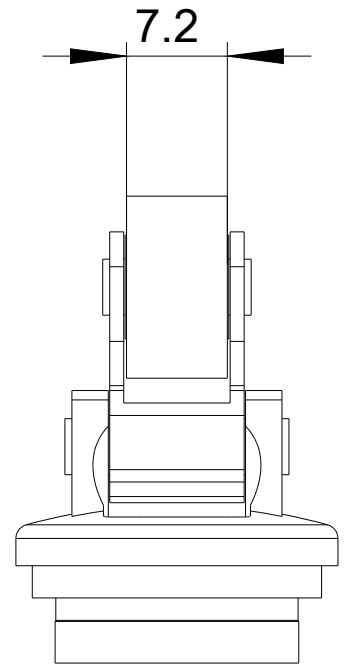
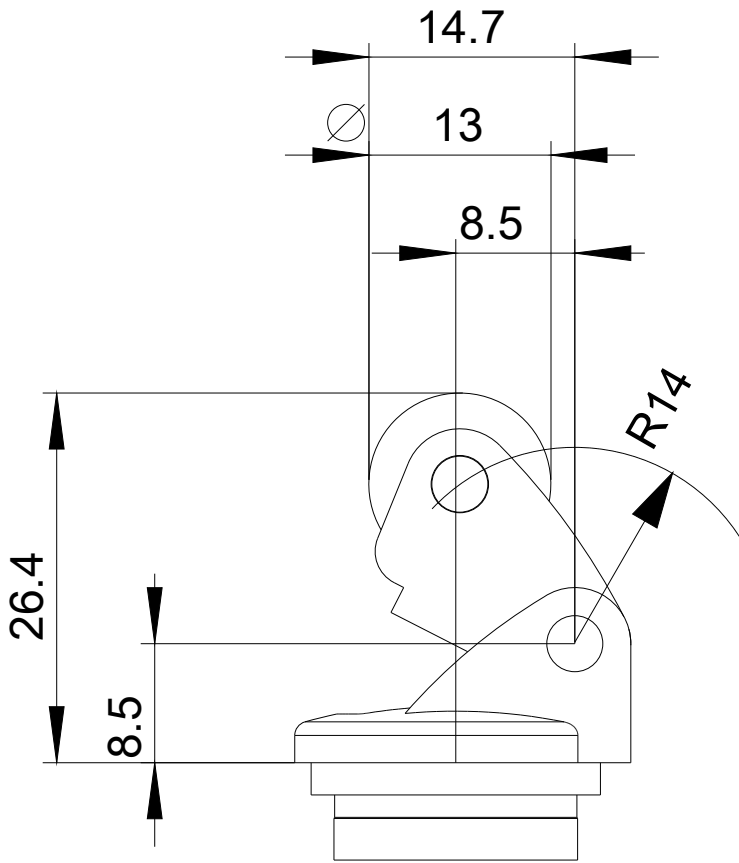
<http://support.automation.siemens.com/WW/CAXorder/default.aspx?lang=en&mlfb=3SE5000-0AE13-1AJ0>

**Service&Support (Manuals, Certificates, Characteristics, FAQs,...)**

<https://support.industry.siemens.com/cs/ww/en/ps/3SE5000-0AE13-1AJ0>

**Image database (product images, 2D dimension drawings, 3D models, device circuit diagrams, EPLAN macros, ...)**

[http://www.automation.siemens.com/bilddb/cax\\_de.aspx?mlfb=3SE5000-0AE13-1AJ0&lang=en](http://www.automation.siemens.com/bilddb/cax_de.aspx?mlfb=3SE5000-0AE13-1AJ0&lang=en)



last modified:

09/25/2017