



Figure similar

CONTACTOR, SIZE 2, 2-POLE DC-3 AND
5,RATD.OPERAT.CURR.32A AUXILIARY CONTACTS
22 (2NO+2NC) AC OPERATION AC 230/220V
50HZ,276/264V 60HZ

General technical data:

Size of contactor		2
Number of poles		2
Equipment marking acc. to DIN 40719 extended according to IEC 204-2 acc. to IEC 750		K
Equipment marking acc. to DIN EN 61346-2		Q
Protection class IP		IP00
Ambient temperature during operation	°C	-25 ... +55

Control circuit/ Control:

Type of voltage		AC
Control supply voltage		
<ul style="list-style-type: none"> • with AC — at 50 Hz Rated value — at 60 Hz Rated value 	V	220 ... 230
	V	277 ... 277

Main circuit:

Number of NO contacts for main contacts		2
Number of NC contacts for main contacts		0
Operating current		
<ul style="list-style-type: none"> • at DC-3 at DC-5 — at 440 V Rated value — at 220 V Rated value — at 600 V Rated value — at 750 V Rated value 	A	29
	A	32
	A	21
	A	7.5
Operating power		

- at DC-3 at DC-5
 - at 110 V Rated value
 - at 220 V Rated value
 - at 440 V Rated value
 - at 600 V Rated value
 - at 750 V Rated value

kW	2.5
kW	5
kW	9
kW	9
kW	4

Auxiliary circuit:

Identification number and letter for switching elements		22
Number of NO contacts for auxiliary contacts		2
Number of NC contacts for auxiliary contacts		2
Number of CO contacts for auxiliary contacts		0

Connections/ Terminals:

Type of electrical connection for main current circuit		screw-type terminals
Type of electrical connection for auxiliary and control current circuit		screw-type terminals

Mechanical data:

Mounting type		screw and snap-on mounting onto 35 mm standard mounting rail according to DIN EN 50022
Mounting type Side-by-side mounting		Yes
Width	mm	70
Height	mm	85
Depth	mm	104

Certificates/ approvals:

General Product Approval	Functional Safety/Safety of Machinery	Test Certificates
---------------------------------	--	--------------------------



[Type Examination Certificate](#)

[Special Test Certificate](#)

Shipping Approval	other
--------------------------	--------------



[Declaration of Conformity](#)

[other](#)

Further information

Information- and Downloadcenter (Catalogs, Brochures,...)

<http://www.siemens.com/industrial-controls/catalogs>

Industry Mall (Online ordering system)

<http://www.siemens.com/industrymall>

Cax online generator

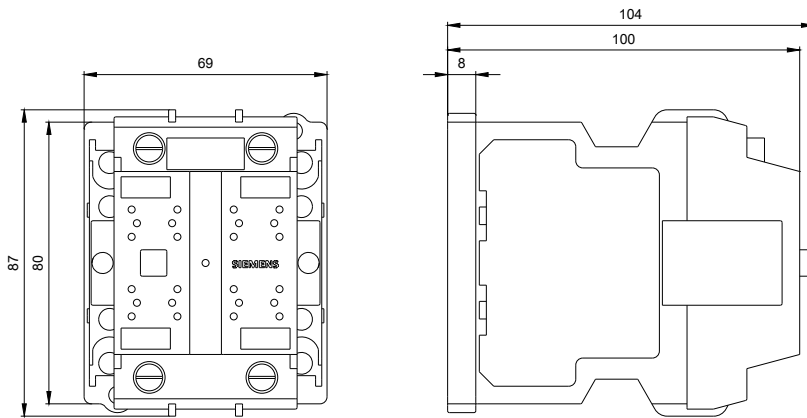
<http://support.automation.siemens.com/WW/CAXorder/default.aspx?lang=en&mfb=3TC44170BP0>

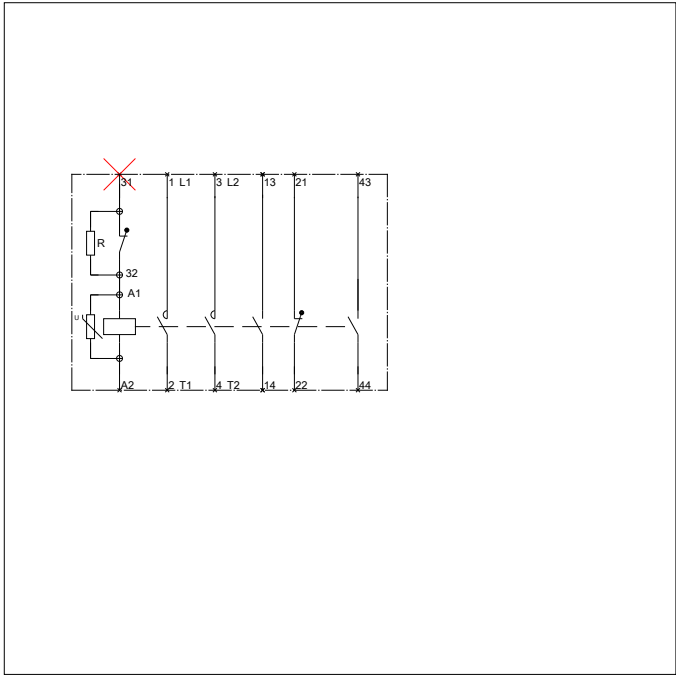
Service&Support (Manuals, Certificates, Characteristics, FAQs,...)

<http://support.automation.siemens.com/WW/view/en/3TC44170BP0/all>

Image database (product images, 2D dimension drawings, 3D models, device circuit diagrams, EPLAN macros, ...)

<http://www.automation.siemens.com/bilddb/index.aspx?attID9=3TC44170BP0&lang=en>





last modified:

09.03.2015