

RoHS
Compliant



Features

- Pin-in-paste soldering
- SMD side actuator
- Sealed IP67
- Sharp click feeling

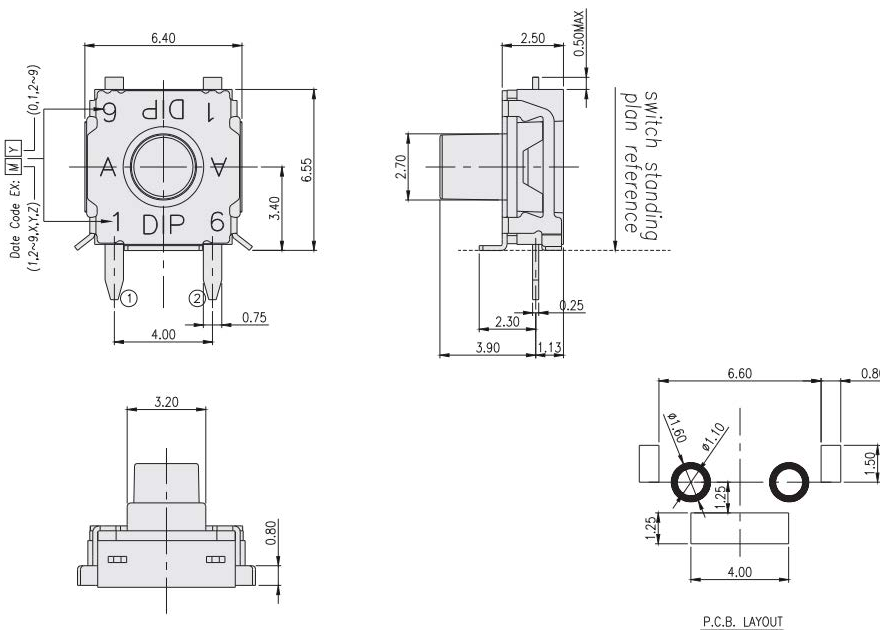
Application

- Automotive
- Industrial electronics
- Network infrastructure and IT
- Elevator

Specification

Contact Rating	20mV DC - 32V DC/1mA-50mA
Contact Resistance	100mΩ max.
Insulation Resistance	10MΩ min. 100V DC
Dielectric Strength.	250V AC/1 minute
Operating Force	350 ±100gf
Travel	0.5mm
Operating Life	300,000 cycles (350gf)
Operating Temp.	-40°C to +85°C
Storage Temp.	-55°C (10 days to +85°C (4 days)

Diagram

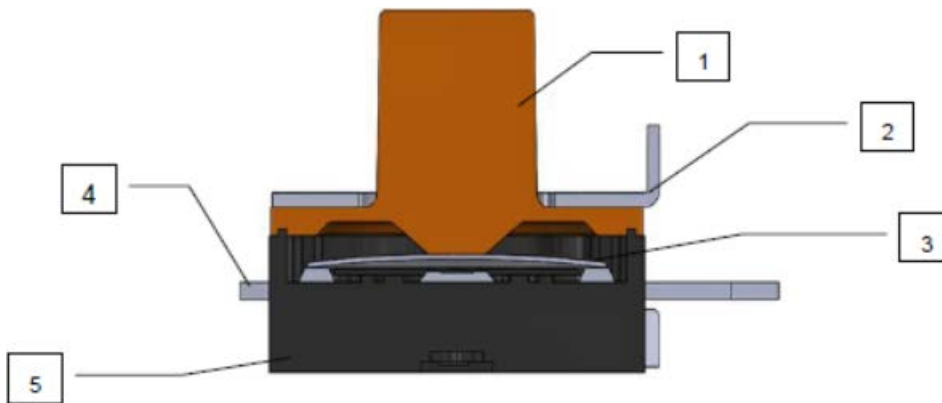


Circuit



Dimensions : Millimetres

Item	Desc.	Q'ty	Materials	Treatment
1	Stem	1	Silicone Rubber	-
2	Cover		Stainless Steel	With Silver Plating
3	Contact		Stainless Steel	
4	Termina		Brass	
5	Base		Hightemp Thermoplastic LCP	Molded Black



Part Number Table

Description	Part Number
Tactile Switch, SPST, Right Angle, 50mA, 32VDC, Through Hole	MP010051

Important Notice : This data sheet and its contents (the "Information") belong to the members of the AVNET group of companies (the "Group") or are licensed to it. No licence is granted for the use of it other than for information purposes in connection with the products to which it relates. No licence of any intellectual property rights is granted. The Information is subject to change without notice and replaces all data sheets previously supplied. The Information supplied is believed to be accurate but the Group assumes no responsibility for its accuracy or completeness, any error in or omission from it or for any use made of it. Users of this data sheet should check for themselves the Information and the suitability of the products for their purpose and not make any assumptions based on information included or omitted. Liability for loss or damage resulting from any reliance on the Information or use of it (including liability resulting from negligence or where the Group was aware of the possibility of such loss or damage arising) is excluded. This will not operate to limit or restrict the Group's liability for death or personal injury resulting from its negligence. Multicomp Pro is the registered trademark of Premier Farnell Limited 2019.