

5

4

3

2

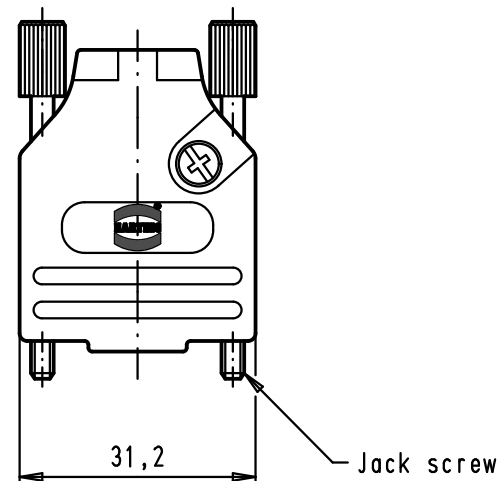
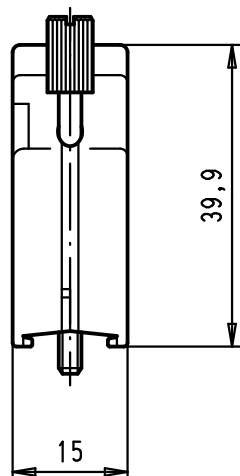
1

D

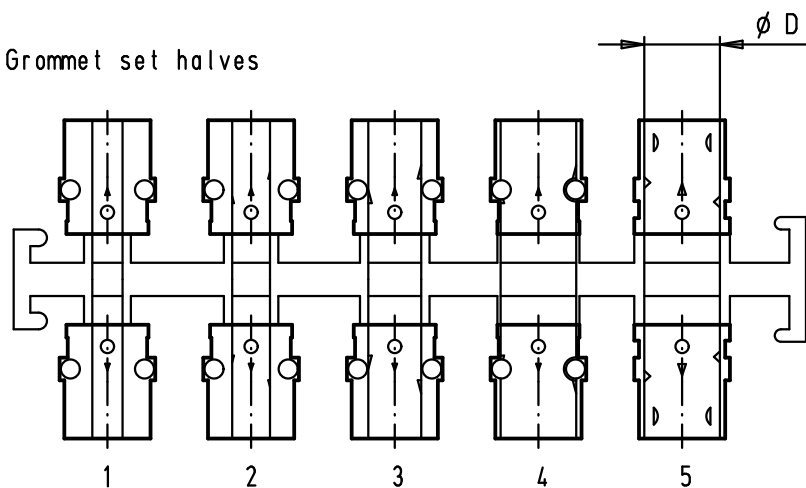
C

B


A



Grommet set halves



Grommet dimensions	
Number	Diameter D
1	4,0
2	5,0
3	7,0
4	10,0
5	10,2

				Dot.	Name	 All Dim. in mm Orig. Size DIN A 4	D-Sub hood, 9 poles top entry, full metal die cast	Maßstab/ Scale
			Detail.	24/10/04	TR			1:1
EC01356	28/02/10	SC	Insp.					
	34401	23/08/07	PK	Stand.				
		33112	28/09/05	JMDR	HARTING EURL F-95972 Paris		TB 09 67 009 034X	Blatt/ Page 1 / 1
		32336	24/11/04	TR				
		Mod.	Dot.	Name				

09 67 009 0348	M3
09 67 009 0343	UNC 4-40
Part number	Jack screw thread



TB 09 67 009 034X

Sub.