

Number of contacts

3



Male and female connectors

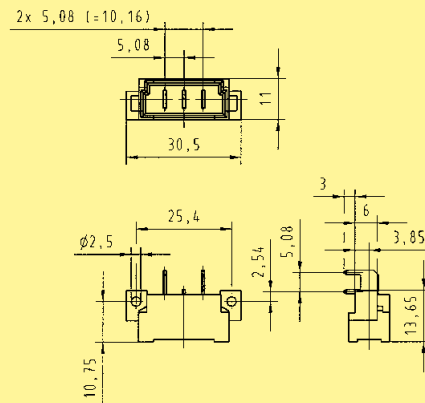
| Identification | Number of contacts | Part No. | Drawing | Dimensions in mm |
|----------------|--------------------|----------|---------|------------------|
|----------------|--------------------|----------|---------|------------------|

Male connector with angled solder pins and preleading middle contact

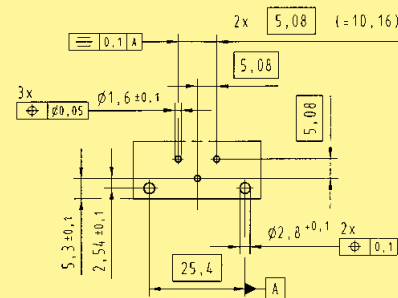
3

Performance level 1 acc. to IEC 60603-2

09 06 203 2911



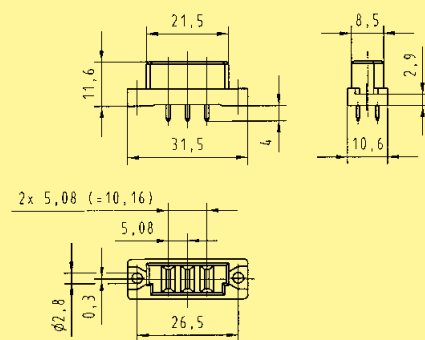
Board drillings



Female connector with solder pins

3

09 06 203 2811



Board drillings

