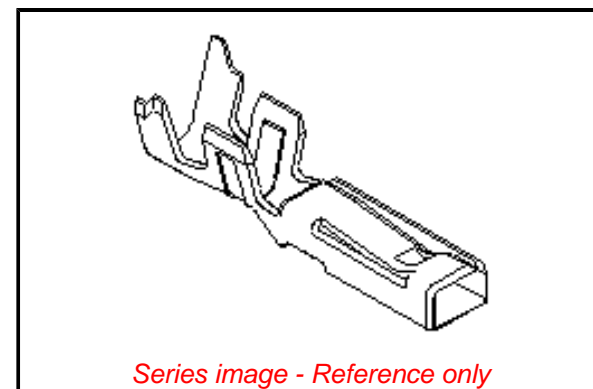


PLEASE CHECK WWW.MOLEX.COM FOR LATEST PART INFORMATION

Part Number: **0500398000**
Status: **Active**
Overview: Mizu-P25 Miniature Waterproof Connectors
Description: 2.50mm Pitch Mizu-P25 Crimp Terminal, 50039, Reel

Documents:

| | |
|--|--|
| Drawing (PDF) | Application Specification AS-50038-001-001 (PDF) |
| Product Specification PS-52048-001 (PDF) | Packaging Specification 500390000-P00 (PDF) |
| Product Specification PS-52117-007-001 (PDF) | RoHS Certificate of Compliance (PDF) |
| Product Specification PS-52117-008-001 (PDF) | |



General

| | |
|-------------------------|--|
| Product Family | Crimp Terminals |
| Series | 50039 |
| Application | Signal, Wire-to-Wire |
| Crimp Quality Equipment | Yes |
| Overview | Mizu-P25 Miniature Waterproof Connectors |
| Packaging Alternative | 50039-8100 (Loose) |
| Product Name | Mizu-P25 Waterproof |
| UPC | 800754368681 |

Physical

| | |
|--------------------------------|----------------------|
| Gender | Female |
| Material - Metal | Phosphor Bronze |
| Material - Plating Mating | Tin |
| Material - Plating Termination | Tin |
| Net Weight | 60.500/mg |
| Packaging Type | Reel |
| Plating min - Mating | 0.889µm |
| Plating min - Termination | 0.914µm |
| Termination Interface: Style | Crimp or Compression |
| Wire Insulation Diameter | 1.80-1.90mm |
| Wire Size AWG | 20, 22 |
| Wire Size mm ² | N/A |

Electrical

| | |
|-------------------|------|
| Voltage - Maximum | 250V |
|-------------------|------|

Solder Process Data

| | |
|------------------------------|-----|
| Lead-free Process Capability | N/A |
|------------------------------|-----|

Material Info

Reference - Drawing Numbers

| | |
|---------------------------|--|
| Application Specification | AS-50038-001-001 |
| Packaging Specification | 500390000-P00 |
| Product Specification | PS-52048-001, PS-52117-007-001, PS-52117-008-001 |
| Sales Drawing | SD-50039-001 |

EU ELV

Compliant

EU RoHS

Compliant

REACH SVHC

Not Contained Per -
ED/61/2018 (27 June
2018)

Halogen-Free

Status

Low-Halogen

Need more information on product environmental compliance?

Email productcompliance@molex.com
Please visit the [Contact Us](#) section for any non-product compliance questions.

| | |
|-----------------|---------------|
| China ROHS | Green Image |
| ELV | Compliant |
| Prop65 | Compliant |
| RoHS Phthalates | Not Contained |

Search Parts in this Series

50039 Series

Use With

Mizu-P25 2.50mm Pitch Waterproof Receptacle Housing 52117