



MICRO SWITCH™
Premium Subminiature Basic Switches
SM Series



MICRO SWITCH™ SM Series

Premium Subminiature Basic Switches

The industry-defining name in snap-action switches, Honeywell MICRO SWITCH™ premium subminiature switches are designed for repeatability and enhanced product life. The MICRO SWITCH™ SM Series delivers consistent performance within a range of conditions.

The MICRO SWITCH™ SM Series' small size and light weight are combined with ample electrical capacity, precision operation, and extended life. Featuring high precision and repeatability, the SM Series offers gold contacts for low-energy switching and gold bifurcated contacts for maximum reliability. Bifurcated contacts provide parallel redundancy within the SM switch.

The SM switch is available for power-duty switching up to 11 A (Vac) or 1/4 HP (Vac).

What makes our switches better?

- Industry-leading life cycle rating reduces the need to replace switches over life in an OEM platform – reducing total system cost
- Very wide temperature range allows for years of reliable performance in the harshest of conditions
- MIL-PRF-8805 qualified listings
- Operating forces as low as 0,06 N [6 g] and differential travel as low as 0,025 mm [0.001 in] delivers consistent, precise switch characteristics



***Designed for
precision applications.***

COST OPTIMIZATION • PERFORMANCE
RELIABILITY • GLOBAL ACCEPTANCE

Features and Benefits

LONG LIFE

With a mechanical life of up to **10,000,000 operations**, SM Series switches boast an industry-leading life cycle.

APPLICATION FLEXIBILITY

MICRO SWITCH™ SM Series delivers a selection of actuation, electrical termination, and operating characteristics along with **high-temperature construction options**.

Life of up to 10,000,000 cycles

INDUSTRY-LEADING TEMPERATURE RANGE

With a wide temperature range of -54 °C to 204 °C [-65 °F to 400°F], SM Series switches allow for **years of reliable performance in harsh conditions**.

Precise switch characteristics

COMPACT AND ROBUST

Built from **military-grade components**, MICRO SWITCH™ SM switches deliver MIL-PRF-8805 qualified listings in a lightweight, small package. MICRO SWITCH™ SM switches are available with FAA-PMA approvals for commercial aircraft applications.

EASILY CONTROLS LOW-VOLTAGE DC APPLICATIONS

Switches available with a choice of **silver or gold-plated, or gold bifurcated contacts** to handle a variety of electrical load requirements.

GLOBAL APPROVALS

UL/CSA, cUL, ENEC, and CE approvals allows the customer to **utilize switches in products sold across the globe** - in some of the most regulated regions.

Potential Applications



AEROSPACE

- In precision switch assemblies for commercial aircraft to monitor doors for “closed” and “locked” position
- Monitor whether landing gear is “up” or “down and locked”
- In precision switch assemblies for commercial cockpit applications for pushbuttons, toggle, or joystick assemblies
- MIL-PRF-8805 listings suitable for precision switch assemblies in military applications
- FAA-PMA approvals for commercial aircraft



INDUSTRIAL

- In precision switch assemblies for pressure switches and temperature switches
- In power generation, fuel level switch for gas and oil



MICRO SWITCH™ Premium Subminiature Basic Switches

Table 1. Specifications

| Characteristic | Parameter |
|-------------------------|---|
| Differentiator | low operating force to 2 oz. max; power load switching capability to 11 A; motor load handling capacity to 1/4 HP (Vac) |
| Ampere rating | 0.1 A to 11 A |
| Circuitry | SPDT |
| Operating force | 0.04 oz to 2 oz |
| Termination | quick connect, solder, pcb |
| Actuator | pin plunger, straight lever, roller lever, simulated roller lever, paddle lever |
| Voltage | 115 Vac, 125 Vac, 250 Vac, 30 Vdc |
| Agency approvals | UL, CE, CSA, ENEC, MIL-PRF-8805, FAA-PMA |
| Agency file information | CE: 61058-1; UL: E12252; CSA: LR41372 |
| Operating temperature | -54 °C to 121 °C [-65 °F to 250 °F]; select catalog listings 204 °C [400 °F] |
| Contacts | silver, gold plated, bifurcated gold |
| Housing | phenolic |
| Sealing | sealed plunger on 411SM Series, other SM Series not weather sealed |
| Mechanical life | up to 10,000,000 operations for 11SM listings up to 80,000 operations for 1SM/14SM listings up to 1,000,000 operations for gold bifurcated contacts |
| Size | 12,7 mm H x 6,35 mm W x 20,3 mm L [0.5 in H x 0.25 in W x 0.8 in L] |



Electrical data and UL codes

Table 2. UL Electrical Ratings

| Code | Circuitry | Electrical data and UL codes |
|------|-----------|--|
| J | SPDT | 5 A res., 3 A ind., (sea level), 5 A res., 2.5 A ind., (50,000 feet), 28 Vdc. UL rating: 5 A, 250 Vac |
| K | SPDT | UL rating: 5 A, 125 or 250 Vac |
| M | SPDT | UL rating: 11 A and 1/4 hp, 125 or 250 Vac |
| N | SPDT | 1 A res., 0.5 A ind., 30 Vdc. UL rating: 1 A, 125 Vac |
| P | SPDT | 1 A res., 30 Vdc. UL rating: .1 A, 125 Vac |
| R | SPDT | 5 A res., 3 A ind., 2.4 A lamp load (sea level), 5 A res., 2.5 A ind., 2.4 A lamp load, (50,000 feet), 28 Vdc. 5 A res., 5 A ind., 1.5 A lamp load, 115 Vac. 60 Hz (sea level) |
| S | SPDT | UL rating: 4 A, 250 Vac |

O.F. • Operating force
 R.F. • Release force
 P.T. • Pretravel
 O.T. • Overtravel
 D.T. • Differential travel
 O.P. • Operating position

MICRO SWITCH™ SM SERIES ORDER GUIDE • PIN PLUNGER

| | Catalog Listing | Recommended For | Electrical Data and UL Codes | O.F. N [oz] | R.F. min. N [oz] | P.T. max. mm [in] | O.T. min. mm [in] | D.T. mm [in] | O.P. * mm [in] |
|---|-------------------------------|--|------------------------------|----------------------------|-------------------|-------------------|-------------------|------------------|-----------------|
|  | 11SM1077-T | Gold-plated contacts | 0.1 A P | 0,83 to 1,39 [3 to 5] | 0,28 [1] | 0,51 [0.020] | 0,13 [0.005] | 0,1 [0.004] | 8,38 [0.330] |
| | 12SM604-T | Bifurcated gold contacts, reduced rating | 0.1 A P | 0,83 to 1,39 [3 to 5] | 0,28 [1] | 0,51 [0.020] | 0,076 [0.003] | 0,1 [0.004] | 8,38 [0.330] |
| | 11SM23-T | Gold-plated contacts | 1 A N | 0,83 to 1,39 [3 to 5] | 0,28 [1] | 0,51 [0.020] | 0,13 [0.005] | 0,1 [0.004] | 8,38 [0.330] |
| | 12SM4-T | Enhanced reliability (bifurcated gold contacts) | 1 A N | 0,83 to 1,39 [3 to 5] | 0,28 [1] | 0,51 [0.020] | 0,076 [0.003] | 0,1 [0.004] | 8,38 [0.330] |
| | 11SM701-T | Lower force | 4 A S | 0,56 [2] | 0,14 [0.5] | 0,51 [0.020] | 0,13 [0.005] | 0,051 [0.002] | 8,38 [0.330] |
| | 11SM1-T | General purpose | 5 A J | 0,83 to 1,39 [3 to 5] | 0,28 [1] | 0,51 [0.020] | 0,13 [0.005] | 0,1 [0.004] | 8,38 [0.330] |
| | 11SM3-T | Operating temps to 121 °C [250 °F] | 5 A J | 0,83 to 1,39 [3 to 5] | 0,28 [1] | 0,51 [0.020] | 0,13 [0.005] | 0,1 [0.004] | 8,38 [0.330] |
| | 11SM244-T | Operating temps to 204 °C [400 °F] for 100 hours | 5 A | 0,83 to 1,39 [3 to 5] | 0,28 [1] | 0,51 [0.020] | 0,13 [0.005] | 0,1 [0.004] | 8,38 [0.330] |
| | 11SM401-T | Less differential travel | 5 A K | 0,97 [3.5] max. | 0,28 [1] | 0,51 [0.020] | 0,13 [0.005] | 0,025 [0.001] | 8,38 [0.330] |
| | 21SM284-T2 (MS25085-2) | MIL-PRF-8805 applications | 5 A R | 0,83 to 1,39 [3 to 5] | 0,28 [1] | 0,76 [0.030] | 0,13 [0.005] | 0,1 [0.004] | 8,38 [0.330] |
| | 21SM284 (MS25085-1) | MIL-PRF-8805 applications, solder terminals | 5 A R | 0,83 to 1,39 [3 to 5] | 0,28 [1] | 0,76 [0.030] | 0,13 [0.005] | 0,1 [0.004] | 8,38 [0.330] |
| | 22SM1-T | Enhanced stability under varying humidity | 5 A J | 0,83 to 1,39 [3 to 5] | 0,28 [1] | 0,51 [0.020] | 0,13 [0.005] | 0,1 [0.004] | 8,38 [0.330] |
| | 41SM1-T | Up to 11 A, 1/4 HP (ac) | 11 A M | 0,83 to 1,39 [3 to 5] | 0,28 [1] | 0,76 [0.030] | 0,13 [0.005] | 0,1 [0.004] | 8,38 [0.330] |
|  | 411SM1 | Sealed plunger construction | 5 A K | 0,83 to 2,09 [3 to 7.5] | 0,28 [1] | 0,51 [0.020] | 0,13 [0.005] | 0,1 [0.004] | 8,38 [0.330] |
| | 411SM23 | Sealed plunger construction, gold contacts | 1 A N | 0,83 to 2,09 [3 to 7.5] | 0,28 [1] | 0,51 [0.020] | 0,13 [0.005] | 0,1 [0.004] | 8,38 [0.330] |

* except where stated $\pm 0,38$ mm [± 0.015 in]

MICRO SWITCH™ Premium Subminiature Basic Switches

O.F. • Operating force
 R.F. • Release force
 P.T. • Pretravel
 O.T. • Overtravel
 D.T. • Differential travel
 O.P. • Operating position

MICRO SWITCH™ SM SERIES ORDER GUIDE • INTEGRAL LEVER

| | Catalog Listing | Recommended For | Electrical Data and UL Codes | O.F. N [oz] | R.F. min. N [oz] | P.T. max. mm [in] | O.T. min. mm [in] | D.T. mm [in] | O.P. |
|--|--------------------|--|------------------------------|-------------|-------------------|-------------------|-------------------|--------------|--------------------------------------|
|  | 311SM1-T | 7,24 mm [0.285 in] straight lever | 5 A J | 0,39 [1.4] | 0,07 [0.25] | 2,16 [0.085] | 0,51 [0.020] | 0,48 [0.019] | 8,64 mm ±1,5 mm [0.34 in ±0.060 in] |
| | 311SM23-T | 7,24 mm [0.285 in] straight lever, gold contacts | 1 A N | 0,39 [1.4] | 0,07 [0.25] | 2,16 [0.085] | 0,51 [0.020] | 0,48 [0.019] | 8,64 mm ±1,5 mm [0.34 in ±0.060 in] |
| | 311SM701-T | 7,24 mm [0.285 in] straight lever, lower force | 4 A S | 0,16 [0.57] | 0,03 [0.11] | 2,16 [0.085] | 0,51 [0.020] | 0,36 [0.014] | 8,64 mm ±1,5 mm [0.34 in ±0.060 in] |
|  | 311SM2-T | 14,35 mm [0.565 in] straight lever | 5 A J | 0,31 [1.1] | 0,05 [0.18] | 3,05 [0.12] | 0,66 [0.026] | 0,69 [0.027] | 8,51 mm ±2 mm [0.335 in ±0.08 in] |
| | 311SM43-T | 14,35 mm [0.565 in] straight lever, gold contacts | 1 A N | 0,31 [1.1] | 0,05 [0.18] | 3,05 [0.12] | 0,66 [0.026] | 0,69 [0.027] | 8,51 mm ±2 mm [0.335 in ±0.08 in] |
| | 311SM702-T | 14,35 mm [0.565 in] straight lever, lower force | 4 A S | 0,11 [0.4] | 0,02 [0.07] | 3,05 [0.12] | 0,66 [0.026] | 0,38 [0.015] | 8,51 mm ±2 mm [0.335 in ±0.08 in] |
|  | 311SM3-T | 44,8 mm [1.765 in] straight lever | 5 A J | 0,15 [0.53] | 0,02 [0.07] | 7,87 [0.31] | 1,45 [0.057] | 2,8 [0.11] | 7,11 mm ±4,3 mm [0.28 in ±0.17 in] |
| | 311SM17-H58 | 44,8 mm [1.765 in] straight lever, gold contacts | 1 A N | 0,15 [0.53] | 0,02 [0.07] | 7,87 [0.31] | 1,45 [0.057] | 2,8 [0.11] | 7,11 mm ±4,3 mm [0.28 in ±0.17 in] |
| | 311SM703-T | 44,8 mm [1.765 in] straight lever, lower force | 4 A S | 0,06 [0.2] | 0,01 [0.04] | 7,87 [0.31] | 1,45 [0.057] | 1,78 [0.07] | 7,11 mm ±4,3 mm [0.28 in ±0.17 in] |
|  | 311SM4-T | 6,38 mm [0.251 in] simulated roller lever | 5 A J | 0,39 [1.4] | 0,07 [0.25] | 2,16 [0.085] | 0,46 [0.018] | 0,48 [0.019] | 11,7 mm ±1,5 mm [0.46 in ±0.06 in] |
| | 311SM25-T | 6,38 mm [0.251 in] simulated roller lever, gold contacts | 1 A N | 0,39 [1.4] | 0,07 [0.25] | 2,16 [0.085] | 0,46 [0.018] | 0,48 [0.019] | 11,7 mm ±1,5 mm [0.46 in ±0.06 in] |
| | 311SM704-T | 6,38 mm [0.251 in] simulated roller lever, lower force | 4 A S | 0,16 [0.57] | 0,03 [0.11] | 2,16 [0.085] | 0,46 [0.018] | 0,33 [0.013] | 11,7 mm ±1,5 mm [0.46 in ±0.06 in] |
|  | 311SM5-T | 13,6 mm [0.535 in] simulated roller lever | 5 A J | 0,31 [1.1] | 0,05 [0.18] | 3,05 [0.12] | 0,66 [0.026] | 0,69 [0.027] | 11,56 mm ±2 mm [0.455 in ±0.08 in] |
| | 311SM705-T | 13,6 mm [0.535 in] simulated roller lever, lower force | 4 A S | 0,11 [0.4] | 0,02 [0.07] | 3,05 [0.12] | 0,66 [0.026] | 0,38 [0.015] | 11,56 mm ±2 mm [0.455 in ±0.08 in] |
|  | 311SM6-T | 6,38 mm [0.251 in] roller lever | 5 A J | 0,39 [1.4] | 0,07 [0.25] | 2,16 [0.085] | 0,46 [0.018] | 0,48 [0.019] | 14,2 mm ±1,5 mm [0.56 in ±0.06 in] |
| | 311SM68-T | 6,38 mm [0.251 in] roller lever, gold contacts | 1 A N | 0,39 [1.4] | 0,07 [0.25] | 2,16 [0.085] | 0,46 [0.018] | 0,48 [0.019] | 14,2 mm ±1,5 mm [0.56 in ±0.06 in] |
| | 311SM706-T | 6,38 mm [0.251 in] roller lever, lower force | 4 A S | 0,16 [0.57] | 0,03 [0.11] | 2,16 [0.085] | 0,46 [0.018] | 0,33 [0.013] | 14,2 mm ±1,5 mm [0.56 in ±0.06 in] |
|  | 311SM7-T | 13,6 mm [0.535 in] roller lever | 5 A J | 0,31 [1.1] | 0,05 [0.18] | 3,05 [0.12] | 0,66 [0.026] | 0,69 [0.027] | 14,1 mm ±2 mm [0.555 in ±0.08 in] |
|  | 111SM1-T | Leaf actuator | 5 A J | 1,95 [7] | 0,56 [2] | 5,54 [0.218] | 0,76 [0.03] | 0,76 [0.03] | 8,89 mm ±0,76 mm [0.35 in ±0.03 in] |
| | 111SM17-T | Leaf actuator gold contacts | 1 A N | 1,95 [7] | 0,56 [2] | 5,54 [0.218] | 0,76 [0.03] | 0,76 [0.03] | 8,89 mm ±0,76 mm [0.35 in ±0.03 in] |
| | 111SM2-T | Flexible leaf with roller | 5 A J | 1,95 [7] | 0,56 [2] | 5,56 [0.219] | 0,76 [0.03] | 0,64 [0.025] | 14,3 mm ±0,76 mm [0.562 in ±0.03 in] |
| | 111SM23-T | Flexible leaf with roller, gold contacts | 1 A N | 1,95 [7] | 0,56 [2] | 5,56 [0.219] | 0,76 [0.03] | 0,64 [0.025] | 14,3 mm ±0,76 mm [0.562 in ±0.03 in] |

SM Series

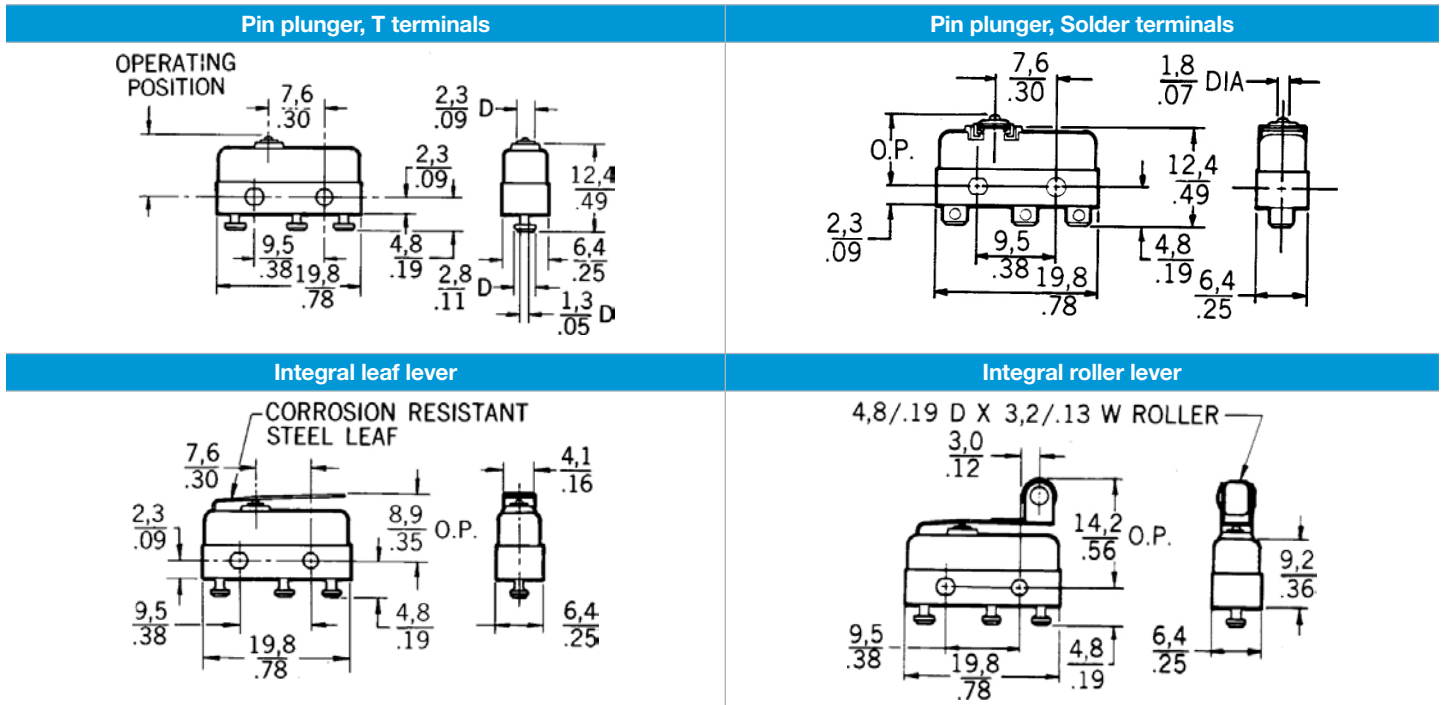
NUMERIC DESIGNATIONS FOR MICRO SWITCH™ SM SERIES/ORDER GUIDE

| Prefix | Description |
|--------------|---|
| 1SM | Standard pin plunger construction, up to 80,000 operations |
| 11SM | Long-life pin plunger construction, up to 10,000,000 operations |
| 12SM | Gold bifurcated contacts |
| 21SM | Same as 1SM (formerly had DAP material) |
| 22SM | Same as 11SM (formerly had DAP material) |
| 23SM | Same as 12SM (formerly had DAP material) |
| 41SM | 11 A construction (11SM construction) |
| 101SM | 1SM with an integral leaf actuator |
| 111SM | 11SM with an integral spring leaf |
| 112SM | 12SM with an integral spring leaf |
| 122SM | 22SM with an integral spring leaf |
| 151SM | 51SM with an integral spring leaf |
| 301SM | 1SM with an integral rigid lever |
| 302SM | 1SM with an integral roller lever |
| 311SM | Integral rigid lever |
| 321SM | 21SM with an integral rigid lever |
| 322SM | 22SM with an integral rigid lever |
| 401SM | Dust/splash resistant 1SM |
| 411SM | Dust/splash resistant 11SM |
| 412SM | Dust/splash resistant 12SM |

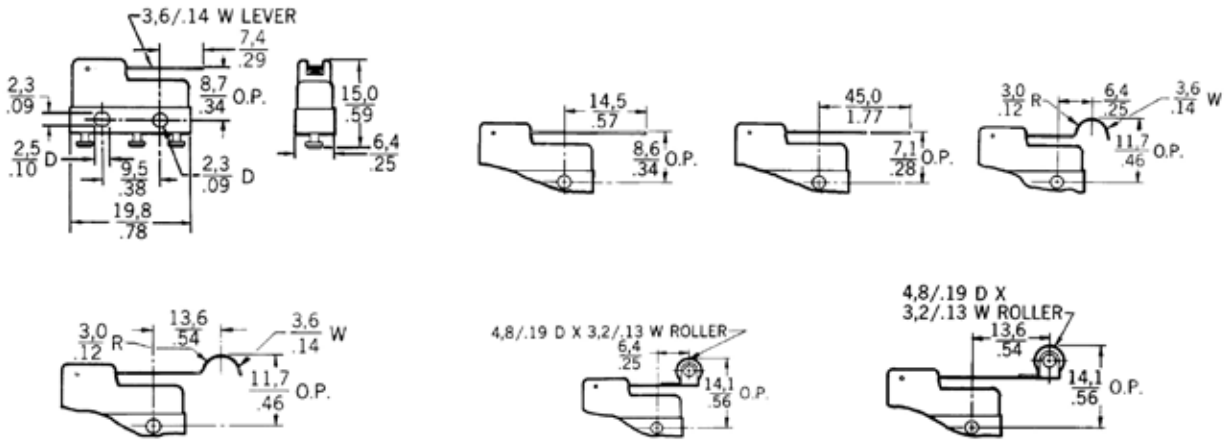
| Suffix | Description |
|-------------|--------------------------------|
| 23 | Gold contacts |
| 400 | Low differential travel series |
| 500 | Reverse terminal designation |
| 700 | Low force series |
| 1000 | Gold alloy |

MICRO SWITCH™ Premium Subminiature Basic Switches

SM SERIES • STANDARD ACTUATOR OPTIONS, SCREW TERMINALS, & DIMENSIONS (mm/in)

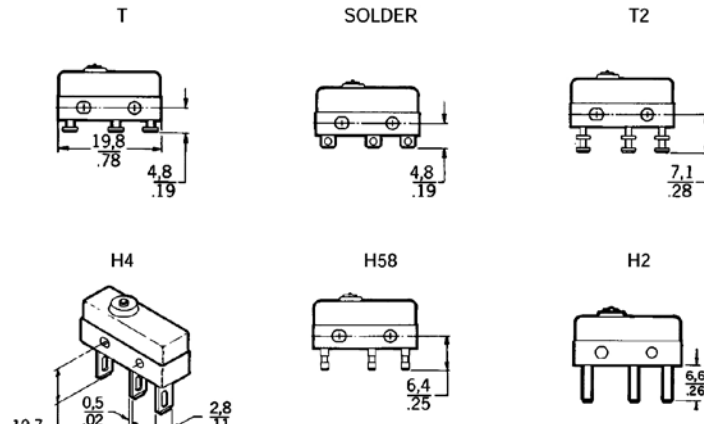


Integral levers



NOTE: The two mounting holes accept pins or screws of 2,21 mm (0.087 in) maximum diameter

MICRO SWITCH™ SM SERIES AVAILABLE TERMINALS



Mounting torque:
0,26 Nm [2.3 in-lb] max.

Mates with Amp Inc. Part No. 640024-1 Std.

SM Series

MICRO SWITCH™ JS SERIES AUXILIARY ACTUATORS FOR THE MICRO SWITCH™ SM SERIES SWITCHES (stainless steel actuator and hardware)

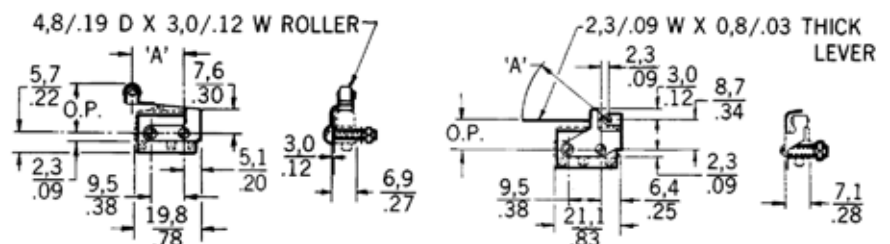
| | | Description | Actuator Length | Operating Force max. | Release Force min. | Pretravel max. | Overtravel min. | Differential Travel max. | Operating Point | Free Position max. |
|----------|---|------------------------------------|-----------------------|----------------------|---------------------|----------------------------------|-----------------------|--------------------------|--|-----------------------|
| JS-2 |  | Straight leaf | 16,8 mm [0.66 in] | 2,78 N [10 oz] | 0,56 N [2 oz] | 1,98 mm [0.078 in] | 0,38 mm [0.015 in] | 0,38 mm [0.015 in] | 8,89 mm ±0,38 mm [0.350 in ±0.015 in] | 11,3 mm [0.445 in] |
| JS-5 |  | Roller leaf (bronze roller) | 15 mm [0.59 in] | 2,78 N [10 oz] | 0,83 N [3 oz] | 1,98 mm [0.078 in] | 0,38 mm [0.015 in] | 0,38 mm [0.015 in] | 14,2 mm ±0,38 mm [0.580 in ±0.015 in] | 16,9 mm [0.665 in] |
| JS-7 |  | Formed leaf (simulated roller) | 14,7 mm [0.58 in] | 2,78 N [10 oz] | 0,56 N [2 oz] | 2,39 mm [0.094 in] | 0,79 mm [0.031 in] | 0,38 mm [0.015 in] | 9,65 mm ±0,38 mm [0.380 in ±0.015 in] | 12,7 mm [0.475 in] |
| JS-220 |  | Straight lever | 26,2 mm [1.03 in]* | 0,28 N [1 oz] | 0,04 N [0.14 oz] | 3,18 mm [0.125 in] approx. | 0,76 mm [0.030 in] | 0,76 mm [0.030 in] | 10,3 mm [0.406 in] approx. | – |
| JS-246 |  | Roller lever (steel roller) | 25,4 mm [1.00 in]* | 0,28 N [1 oz] | 0,04 N [0.14 oz] | 3,18 mm [0.125 in] approx. | 0,76 mm [0.030 in] | 0,76 mm [0.030 in] | 14,3 mm [0.562 in] approx. | – |
| JS-221 |  | Formed lever (simulated roller) | 25,4 mm [1.00 in]* | 0,28 N [1 oz] | 0,04 N [0.14 oz] | 3,18 mm [0.125 in] approx. | 0,76 mm [0.030 in] | 0,76 mm [0.030 in] | 11,6 mm [0.455 in] approx. | – |
| JS-33**Δ |  | Tandem leaf | 5,3 mm [0.21 in] | 5,00 N [18 oz] | 2,78 N [10 oz] | 2,36 mm [0.093 in] | 0,15 mm [0.006 in] | 0,38 mm [0.015 in] | 8,89 mm ±0,38 mm [0.350 in ±0.015 in] | 10,5 mm [0.415 in] |
| JS-31**Δ |  | Tandem leaf (bronze roller) | 4,3 mm [0.17 in] | 11,1 N [40 oz] | 4,45 N [16 oz] | 2,36 mm [0.093 in] | 0,13 mm [0.005 in] | 0,38 mm [0.015 in] | 14,5 mm ±0,38 mm [0.570 in ±0.015 in] | 16,1 mm [0.635 in] |

** Travel characteristics on tandem actuators vary with actual basic switch characteristics

NOTE: Above actuators should be used below 300 °F

* "A" measurement is from pivot point of lever to the point indicated on drawing

Δ Plated steel machine screws



MICRO SWITCH™ Premium Subminiature Basic Switches

This Honeywell datasheet supports the following MICRO SWITCH™ SM Series Basic Switch Listings

| | | | | | |
|---------------|-------------|---------------|---------------|---------------|---------------|
| 111SM1 | 11SM23-T2 | 11SM861-T | 21SM284-T2 | 311SM3 | 341SM169-H252 |
| 111SM1053-H58 | 11SM244 | 11SM862-H2 | 21SM289-T | 311SM3-H2 | 341SM2-T |
| 111SM113-H58 | 11SM2440 | 11SM8849-H58 | 21SM35 | 311SM3-H58 | 411SM1 |
| 111SM115-H2 | 11SM2442-T | 11SM8850-H58 | 21SM365 | 311SM3-T | 411SM1-H58 |
| 111SM115-H58 | 11SM244-H4 | 11SM8853-T | 21SM366 | 311SM4 | 411SM1-T |
| 111SM117-H2 | 11SM244-T | 11SM98 | 21SM367 | 311SM43-H58 | 411SM701-H4 |
| 111SM117-H58 | 11SM2454 | 11SM98-T | 21SM368 | 311SM43-T | 412SM4 |
| 111SM119-H2 | 11SM250-T | 122SM160-T2 | 21SM369 | 311SM4-H2 | 412SM4-T |
| 111SM124-H2 | 11SM3 | 122SM44-T2 | 22SM157-T | 311SM4-H58 | 41SM1 |
| 111SM125-H2 | 11SM303-T2 | 12SM4 | 22SM157-T2 | 311SM4-T | 41SM1-H2 |
| 111SM126-T | 11SM320-T | 12SM4-T | 22SM1-T | 311SM5-T | 41SM1-H251 |
| 111SM127-T | 11SM38 | 12SM4-T2 | 22SM22-H58 | 311SM6 | 41SM1-H4 |
| 111SM17-T | 11SM3-H58 | 12SM604-T | 22SM22-T | 311SM604-H4 | 41SM1-H58 |
| 111SM1-H2 | 11SM3-S | 12SM825 | 22SM25-T | 311SM605-H4 | 41SM1-S |
| 111SM1-H58 | 11SM3-T | 12SM83 | 22SM396-T | 311SM68-H4 | 41SM1-T |
| 111SM1-T | 11SM3-T2 | 12SM83-H2 | 22SM401 | 311SM68-T | 41SM1-T2 |
| 111SM1-T2 | 11SM401 | 141SM102 | 22SM401-T | 311SM6-H4 | 41SM2 |
| 111SM2 | 11SM401-H2 | 141SM102-T | 22SM426-T | 311SM6-H58 | 41SM25-H2 |
| 111SM23-H4 | 11SM401-H58 | 141SM102-T2 | 22SM426-T2 | 311SM6-T | 41SM27-T |
| 111SM23-T | 11SM401-T | 141SM123-T2 | 22SM801-H58 | 311SM6-T2 | 41SM28 |
| 111SM241 | 11SM403 | 141SM281-H403 | 22SM81-T | 311SM701 | 41SM28-H2 |
| 111SM2410 | 11SM403-T | 141SM28-H2 | 22SM82-T | 311SM7017-T | 41SM28-T2 |
| 111SM244 | 11SM405 | 141SM28-H58 | 23SM13 | 311SM7018-H58 | 41SM2-T |
| 111SM247 | 11SM423 | 141SM2-T | 311SM1 | 311SM7018-T | 41SM301 |
| 111SM248 | 11SM423-H2 | 141SM2-T2 | 311SM1005-H58 | 311SM701-H58 | 41SM301-T2 |
| 111SM2-H2 | 11SM423-H4 | 141SM32-H2 | 311SM1005-T | 311SM701-T | 41SM30-H403 |
| 111SM2-T | 11SM430-T | 1SM1 | 311SM1017-T | 311SM702 | 41SM30-H58 |
| 111SM2-T2 | 11SM4601-H4 | 1SM195-T | 311SM1018-T | 311SM7021. | 51SM1-H4 |
| 111SM305-T2 | 11SM54-T | 1SM1-T | 311SM1029 | 311SM702-T | 51SM1-T |
| 111SM47-T2 | 11SM601-H4 | 1SM2 | 311SM1068-H4 | 311SM703-T | 8SM42-T |
| 111SM518-T2 | 11SM608-H4 | 1SM23 | 311SM1138-T | 311SM704-H2 | |
| 111SM601-H4 | 11SM701 | 1SM23-T2 | 311SM1721-H4 | 311SM704-T | |
| 111SM602-H4 | 11SM701-H2 | 1SM263 | 311SM1781-H4 | 311SM705-H58 | |
| 111SM7-T | 11SM701-H58 | 1SM282 | 311SM17-H58 | 311SM705-T | |
| 111SM858-H403 | 11SM701-T | 1SM3 | 311SM18 | 311SM706-H58 | |
| 11SM1 | 11SM703 | 1SM314-H2 | 311SM1-H2 | 311SM706-T | |
| 11SM1077-H4 | 11SM703-H2 | 1SM33-H2 | 311SM1-H4 | 311SM717-T | |
| 11SM1077-H58 | 11SM703-T | 1SM35 | 311SM1-H58 | 311SM718-H58 | |
| 11SM1077-T | 11SM705-H58 | 1SM36-H2 | 311SM1-T | 311SM719-T | |
| 11SM144 | 11SM711 | 1SM379-H2 | 311SM2 | 311SM71-T | |
| 11SM144-H2 | 11SM712-H58 | 1SM3-T | 311SM23-H2 | 311SM730-T2 | |
| 11SM1777-H58 | 11SM723-T | 1SM430 | 311SM23-H4 | 311SM7602-H4 | |
| 11SM1777-T | 11SM727 | 1SM46-T | 311SM23-T | 311SM768-H58 | |
| 11SM1-H2 | 11SM7601-H4 | 1SM61 | 311SM25-H4 | 311SM768-T2 | |
| 11SM1-H58 | 11SM76-T | 1SM817-T | 311SM25-T | 311SM778-T | |
| 11SM1-T | 11SM77-H58 | 1SM836 | 311SM2721-T2 | 311SM781-H58 | |
| 11SM1-T2 | 11SM77-T | 21SM144 | 311SM2-H2 | 311SM7-H58 | |
| 11SM22-H258 | 11SM82-T2 | 21SM144-T | 311SM2-H251 | 311SM7-T | |
| 11SM23-H2 | 11SM837-T | 21SM157-T | 311SM2-H4 | 311SM800-T | |
| 11SM23-H4 | 11SM8423-H2 | 21SM1-T | 311SM2-H58 | 311SM8092-T | |
| 11SM23-T | 11SM861-H58 | 21SM284 | 311SM2-T | 311SM95 | |

ADDITIONAL INFORMATION

The following associated literature is available on Honeywell's web site at sensing.honeywell.com:

- Product installation instructions
- Product range guide
- Aerospace range guide
- Applying basic switches
- Low energy switching guide
- Product application-specific information
 - Application Note: Central Vacuum System
 - Application Note: Electronic Taping Machine
 - Application Note: Sensors and Switches in Sanitary Valves
 - Application Note: Sensors and Switches in Oil Rig Applications
 - Application Note: Sensors and Switches for Potential Medical Applications

WARNING

PERSONAL INJURY

DO NOT USE these products as safety or emergency stop devices or in any other application where failure of the product could result in personal injury.

Failure to comply with these instructions could result in death or serious injury.

WARNING

MISUSE OF DOCUMENTATION

- The information presented in this product sheet is for reference only. Do not use this document as a product installation guide.
- Complete installation, operation, and maintenance information is provided in the instructions supplied with each product.

Failure to comply with these instructions could result in death or serious injury.

WARRANTY/REMEDY

Honeywell warrants goods of its manufacture as being free of defective materials and faulty workmanship. Honeywell's standard product warranty applies unless agreed to otherwise by Honeywell in writing; please refer to your order acknowledgement or consult your local sales office for specific warranty details. If warranted goods are returned to Honeywell during the period of coverage, Honeywell will repair or replace, at its option, without charge those items it finds defective. **The foregoing is buyer's sole remedy and is in lieu of all other warranties, expressed or implied, including those of merchantability and fitness for a particular purpose. In no event shall Honeywell be liable for consequential, special, or indirect damages.**

While we provide application assistance personally, through our literature and the Honeywell website, it is up to the customer to determine the suitability of the product in the application.

Specifications may change without notice. The information we supply is believed to be accurate and reliable as of this printing. However, we assume no responsibility for its use.

Find out more

Honeywell serves its customers through a worldwide network of sales offices, representatives and distributors. For application assistance, current specifications, pricing or name of the nearest Authorized Distributor, contact your local sales office.

To learn more about Honeywell's sensing and control products, call **+1-815-235-6847** or **1-800-537-6945**, visit **sensing.honeywell.com**, or e-mail inquiries to **info.sc@honeywell.com**

Sensing and Control
Honeywell
1985 Douglas Drive North
Golden Valley, MN 55422
honeywell.com

The Honeywell logo is displayed in a bold, red, sans-serif font.