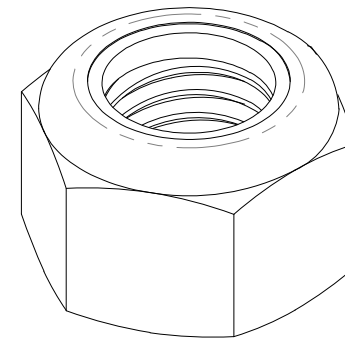
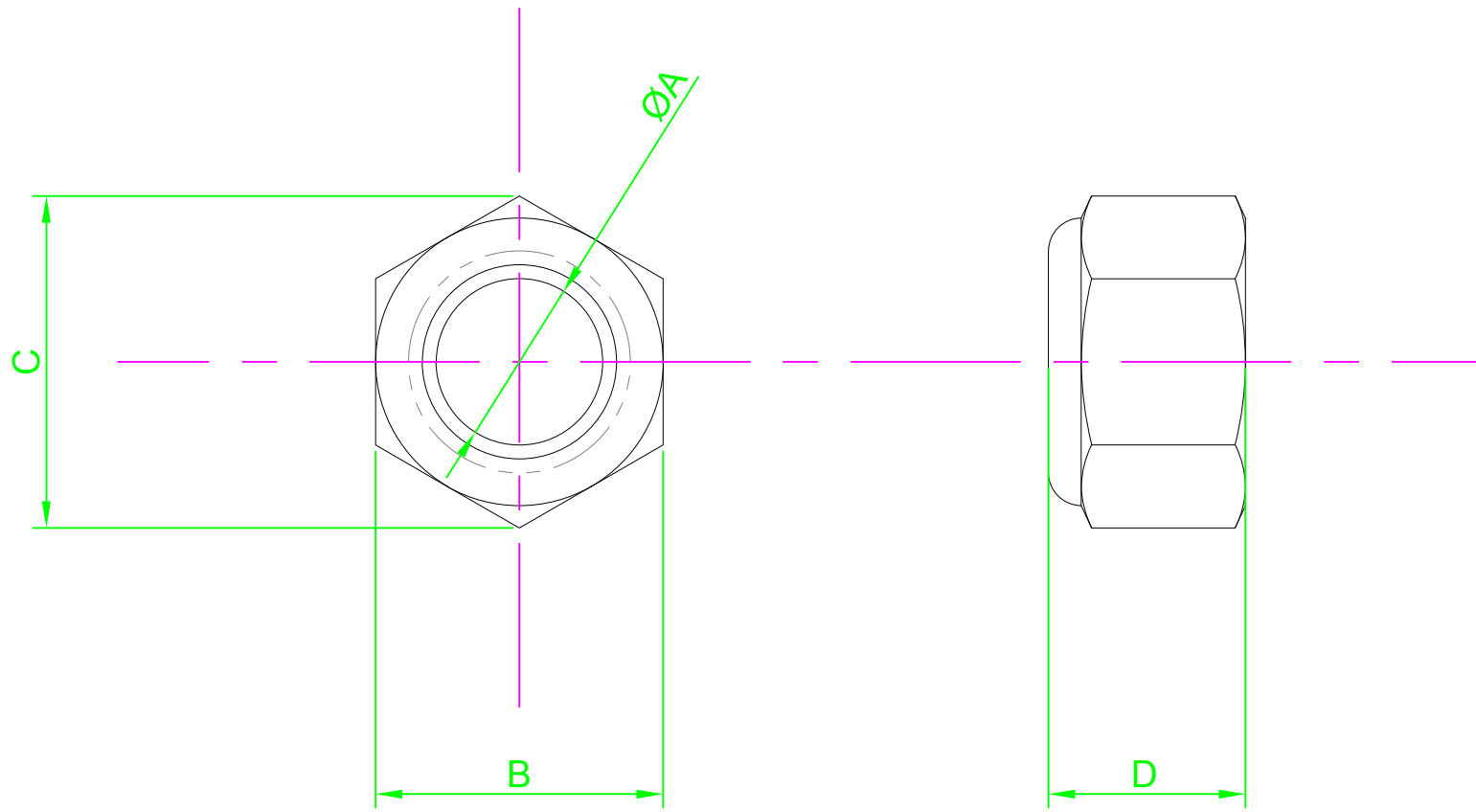


DO NOT SCALE DRAWING



PART NUMBER	ØA	B Max	C Min	D Max
M3 - N5A4- S50	M3-0.5	5.5	6.01	4.0
M4 - N5A4- S50	M4-0.7	7	7.66	5.0
M5 - N5A4- S50	M5-0.8	8	8.79	5.0
M6 - N5A4- S50	M6-1.0	10	11.05	6.0
M8 - N5A4- S50	M8-1.25	13	14.38	8.0

REVISION

A INITIAL DRAWING 04.01.16

NOTES:



UNLESS OTHERWISE SPECIFIED:  
DIMENSIONS ARE IN MM (MILLIMETERS).  
SURFACE FINISH:  
TOLERANCES: DIN 985

MATERIAL:  
Stainless Steel A4

TITLE:  
Prevailing Torque Type Hex Thin Nut with  
Non-Metallic Insert DIN985

	NAME	DATE
DRAWN	Darryl Wilson	04.01.16
CHK'D		
APPVD		

HEAT TREATMENT:

DESIGN RIGHT. TR FASTENINGS LTD, 2003  
UNDER NO CIRCUMSTANCES MUST THIS  
DRAWING BE COPIED OR DISCLOSED  
WITHOUT FIRST OBTAINING WRITTEN  
AUTHORITY.

CUSTOMER PART NUMBER:  
N/A

FINISH:

DRAWING NUMBER:  
TR32N5A4-S50

A4

