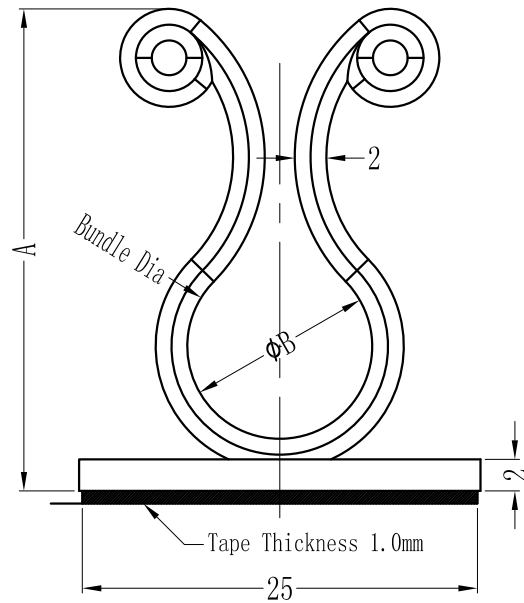
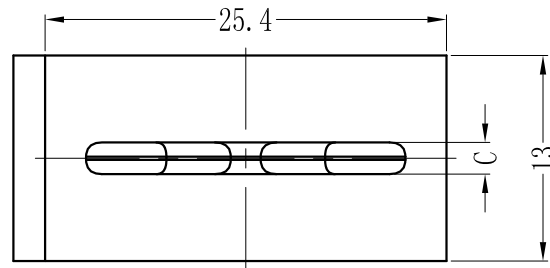


DO NOT SCALE DRAWING

REVISIONS				
ZONE	REV.	DESCRIPTION	DATE	APPROVED
	A	DRAWN	12-02-2015	



Part Name	A	B	C	Bundle Dia
TRKLB-350-01A-RT	27.2	9.2	1.5	7.6-10.2
TRKLB-450-01A-RT	31.2	11.7	1.8	10.2-12.7
TRKLB-750-01A-RT	40.1	19.3	2.0	17.8-20.3

NOTES :

- 1.MATERIAL NYLON 66 UL94V-2 (TMS001)
- 2.MATERIAL NYLON 66 UL94V-0 (TMS019) FLAME RETARDANT
- 3.ROHS COMPLIANT



DESIGN RIGHT. TR FASTENINGS LTD. 2003
 UNDER NO CIRCUMSTANCES MUST THIS
 DRAWING BE COPIED OR DISCLOSED,
 WITHOUT FIRST OBTAINING WRITTEN
 AUTHORITY.

UNLESS OTHERWISE SPECIFIED:
 DIMENSIONS ARE IN MILLIMETERS.
 SURFACE FINISH:
 TOLERANCES:
 $L \leq 4 = \pm 0.1$ $4 < L \leq 15 = \pm 0.2$
 $15 < L \leq 50 = \pm 0.3$ $50 < L \leq 100 = \pm 0.4$

NAME	DATE
DRAWN MARTIN ELLIOTT	12/02/2015
CHK'D	
APP'D	

MATERIAL
 NYLON 66

HEAT TREATMENT
 N/A

FINISH
 NATURAL

TITLE
 TWIST TIE ON
 ADHESIVE BASE

CUSTOMER PART NO.

DWG NO.
 TRKLB-XXX-01A-RT

A3