



**PIDG**

TE Internal #: 320569

PIDG, Rings & Spades, Ring Tongue, 12 – 10AWG Wire Size, 2.62 – 6.64mm<sup>2</sup> Wire Size, 5180 – 13100CMA Wire Size, M6 / 1/4

[View on TE.com >](#)

Terminals & Splices > Rings & Spades > PIDG RING TONGUE TERMINALS



Terminal & Splice Type: **Ring Tongue**

Wire Size: **5180 – 13100 CMA**

Ring & Spade Stud Size: **1/4, M6**

[All PIDG RING TONGUE TERMINALS \(422\)](#)

**Features**

**Product Type Features**

Shape Description	RING-041
Ring & Spade Stud Size	1/4, M6
Ring & Spade Barrel Type	Closed Barrel
Sealable	No
Insulated	Yes
Ring & Spade Wire/Cable Type	Copper
Support Style	Insulation Support

**Configuration Features**

Number of Holes	1
Terminal Angle	Straight

**Electrical Characteristics**

Voltage (Max)	300 V
---------------	-------

**Body Features**

Weight per Piece	3.345 g
Ring & Spade Plating Material	Tin

**Contact Features**

Military Part Class	Class I
Terminal & Splice Type	Ring Tongue
Ring & Spade Terminal Orientation	Straight

### Mechanical Attachment

Wire Insulation Support	With
-------------------------	------

### Dimensions

Wire Size	5180 – 13100 CMA
Stud Diameter	6.73 mm[.265 in]
Tongue Thickness	1.016 mm[.04 in]
Ring & Spade Overall Length	35.58 mm[1.322 in]
Ring & Spade Wire Insulation Diameter (Max)	5.84 mm[.23 in]
Ring & Spade Wire Insulation Diameter	3.81 – 5.84 mm[.15 – .23 in]

### Usage Conditions

Insulation Requirement	Partially Insulated
Operating Temperature Range	105 °C[221 °F]

### Operation/Application

Heavy Duty	No
------------	----

### Industry Standards

Government Qualified	Yes
----------------------	-----

### Packaging Features

Packaging Quantity	500
Ring & Spade Packaging Method	Loose Piece

### Product Compliance

[For compliance documentation, visit the product page on TE.com>](#)

EU RoHS Directive 2011/65/EU	Compliant
EU ELV Directive 2000/53/EC	Compliant
China RoHS 2 Directive MIIT Order No 32, 2016	No Restricted Materials Above Threshold
EU REACH Regulation (EC) No. 1907/2006	Current ECHA Candidate List: JAN 2021 (211) Candidate List Declared Against: JUN 2020 (209) SVHC > Threshold: Not Yet Reviewed
Halogen Content	Low Halogen - Br, Cl, F, I < 900 ppm per homogenous material. Also BFR/CFR/PVC Free

Solder Process Capability

Not applicable for solder process capability

Product Compliance Disclaimer

This information is provided based on reasonable inquiry of our suppliers and represents our current actual knowledge based on the information they provided. This information is subject to change. The part numbers that TE has identified as EU RoHS compliant have a maximum concentration of 0.1% by weight in homogenous materials for lead, hexavalent chromium, mercury, PBB, PBDE, DBP, BBP, DEHP, DIBP, and 0.01% for cadmium, or qualify for an exemption to these limits as defined in the Annexes of Directive 2011/65/EU (RoHS2). Finished electrical and electronic equipment products will be CE marked as required by Directive 2011/65/EU. Components may not be CE marked. Additionally, the part numbers that TE has identified as EU ELV compliant have a maximum concentration of 0.1% by weight in homogenous materials for lead, hexavalent chromium, and mercury, and 0.01% for cadmium, or qualify for an exemption to these limits as defined in the Annexes of Directive 2000/53/EC (ELV). Regarding the REACH Regulation, the information TE provides on SVHC in articles for this part number is based on the latest European Chemicals Agency (ECHA) 'Guidance on requirements for substances in articles' posted at this URL: <https://echa.europa.eu/guidance-documents/guidance-on-reach>

## Compatible Parts



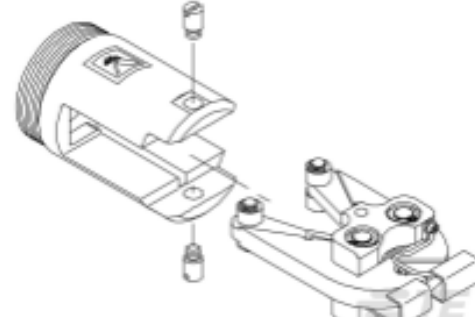
TE Part # 58423-1  
DIE, RBY IS9252



TE Part # 58433-3  
PRO CR ASSY, RBY IS9252



TE Part # 59239-4  
HHHT PIDG PG 12-10 ASSY



TE Part # 679300-1  
1210 PIDG CRIMP HEAD



TE Part # 525692  
HHHT PIDG PG 12-10 ASSY



TE Part # 539691-2  
ERGO DIE R.B.Y



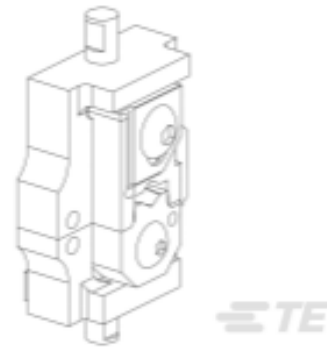
TE Part # 2063030-1  
SDE DIESET, RBY, UL



TE Part # 47808-6  
DIES PIDG 12-10 DIE SET



TE Part # 59824-1  
TETRA-CRIMP PIDG PG FASTON 22-10 ASSY



TE Part # 2063361-1  
DIE ASM, 12-10 PIDG, BATT TL



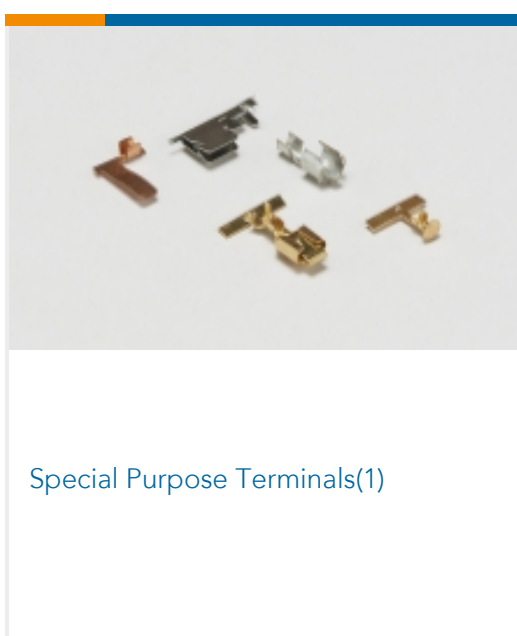
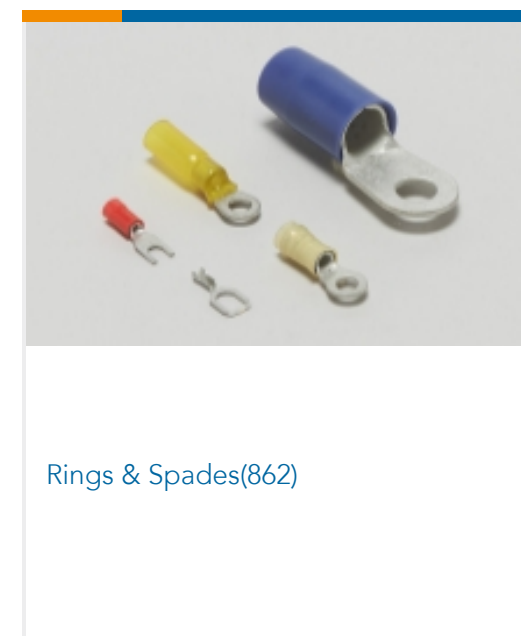
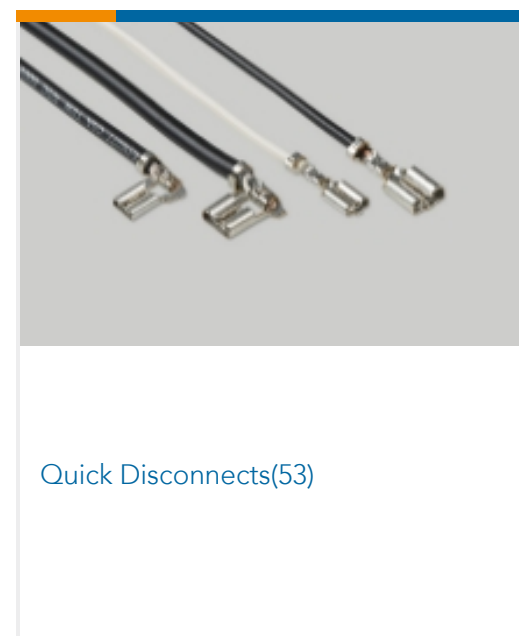
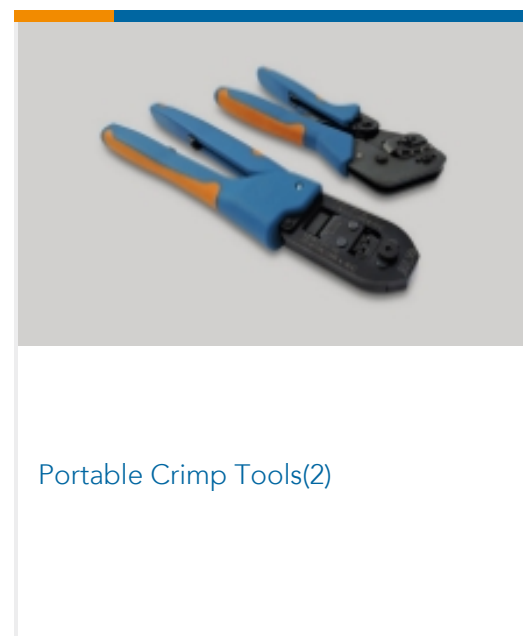
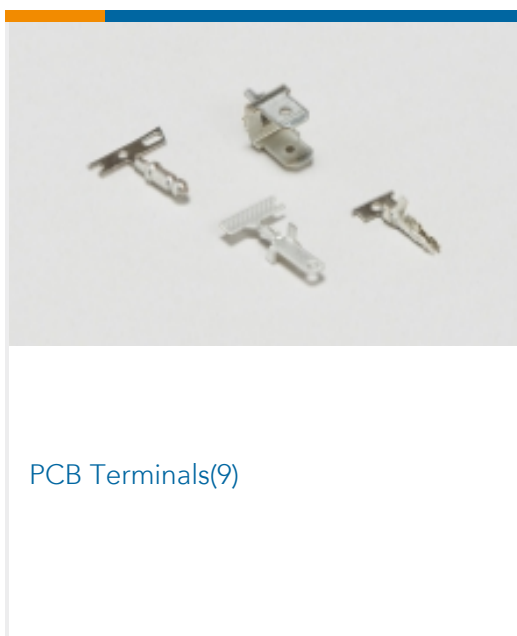
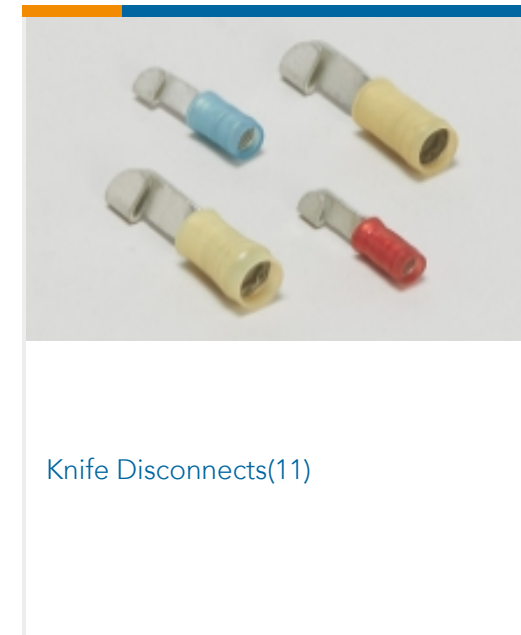
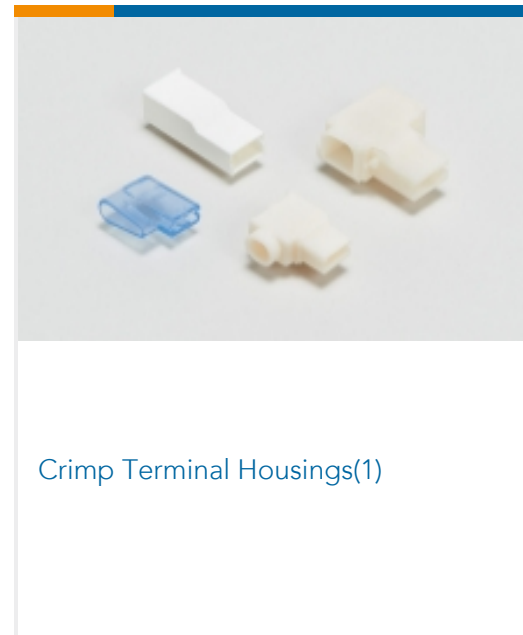
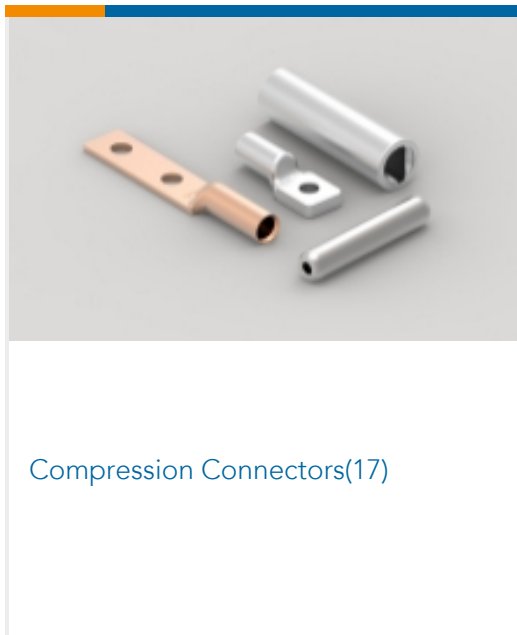
TE Part # 169400  
CERTI-LOK



TE Part # 169404  
CERTI-LOK DIE



## Also in the Series | PIDG



## Customers Also Bought







## Documents

### Product Drawings

#### TERMINAL,PIDG R 12-10 1/4

English

### CAD Files

#### 3D PDF

3D

#### Customer View Model

[ENG\\_CVM\\_CVM\\_320569\\_AD.2d\\_dxf.zip](#)

English

#### Customer View Model

[ENG\\_CVM\\_CVM\\_320569\\_AD.3d\\_igs.zip](#)

English

#### Customer View Model

[ENG\\_CVM\\_CVM\\_320569\\_AD.3d\\_stp.zip](#)

English

By downloading the CAD file I accept and agree to the [Terms and Conditions](#) of use.

### Datasheets & Catalog Pages

#### PIDG TERMINALS & SPLICES Quick Reference Guide

English

### Product Specifications

#### Application Specification

English

### Product Environmental Compliance

[MD\\_320569\\_05022015524\\_dmtec](#)

English

[MD\\_320569\\_05022015524\\_dmtec](#)

English

### Agency Approvals

#### UL Report

English

#### UL Report



English