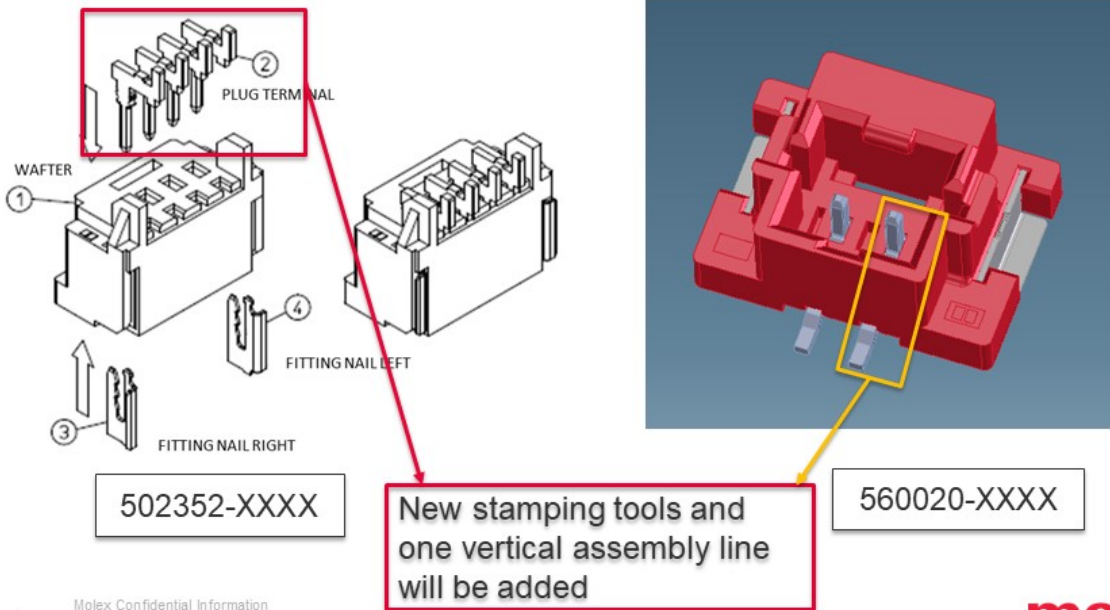




Product Change Notification

Date Issued :	March 14, 2022	PCN Number :	511552
Reason for Change :	Capacity change or tool replacement		
Description of Change :	This notification is to inform you about set of tooling is being added to meet the current and future demands of this product referenced below. There will be no changes in fit, form or function from additional tooling when compared to the existing tooling		
Reason for Short Notice :	Capacity Increase		
Assessment of Change :	First Article Inspection		
Planned Implementation Date :	April 30, 2022		
Sample Availability Date:	March 30, 2022		
Internal Molex Qualification Date :	March 30, 2022		
Last date to request Samples by Customer :	March 30, 2022		
Traceability Code Markings / Date :	Date code		

Before Picture



Molex Confidential Information
 © 2016 Molex – All Rights Reserved. Unauthorized Reproduction/Distribution is Prohibited.



After Picture

Overview

- To support increased demand, new stamping tools of Dura-click 502352, 560020 series and one vertical assembly line of Dura-click 560020 series are being fabricated to increase capacity.
- Product Impact
 - no impact to fit, form or function
- Part Number Impact
 - 502352xx00 502352xx01 502352xx10
 - 560020xx20 560020xx30
- Level 4 PPAP will be available upon request beginning Apr 30th ,2022. Request for PPAP must occur by Apr 30th ,2022. Submissions must will not occur without request.
 - If PPAP requested, disposition response required within 5 days of submit date or it will be considered approved.
 - If no PPAP requested by Apr 30th ,2022, the PPAP will be considered

Mollex Corporation
 © 2016 Mollex - All Rights Reserved. Unauthorized Reproduction/Distribution is Prohibited.



2

RELEASED

You may address inquires regarding this PCN by clicking on the below link
mailto:pcn_coordinator@molex.com?subject=PCN_Notification:511552
 or contact your Local Sales Engineer.

Note: While responding, please retain " PCN Notification : **PCN Notification: 511552** " in the e-mail Subject line for faster response.

[Mollex, LLC](#)
 2222 Wellington Court
 Lisle, IL 60532
 TEL (800) 786-6539
www.molex.com