



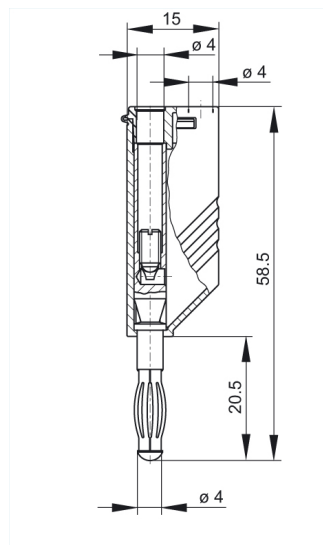
## LAS N WS gelb/yellow

Industrial Connectors:Measuring and Testing Equipment:Plugs:4 mm system

### Product description

Description	Connector for tower construction with screw connection for leads from 0.5 mm <sup>2</sup> to 1.5 mm <sup>2</sup> , outer diameter of lead max. 4.2 mm. Plug 4 mm with caged spring, not contact-protected. Simple assembly by "Click-System".
Type	LAS N WS gelb/yellow
Order No.	934 100-103
System	4 mm system
Housing Color	yellow
Other standard types	black color, order no. 934 100-100; red color, order no. 934 100-101; blue color, order no. 934 100-102; green color, order no. 934 100-104

### Drawing



### Technical data

Pin dimensions	4 mm with laminated spring
Type of contact	pin (spring-loaded)
Type of termination	screw
Rated voltage	DC 60 V
Rated current	24 A
Contact resistance	3 mOhm

### Material

Contact material	copper beryllium
Contact surface material	nickel-plated
Housing material	PA

### Environmental conditions

Temperature range -15 °C to +70 °C

**Inflammability class**

Housing 94 HB