



### Main

Range of product	Phaseo
Product or component type	Battery module
Input voltage	24 V DC
Output voltage	24 V DC
Maximum output current	75 A
Battery capacity	12 Ah
Holding time	< 20 h 0.6 A, 68 °F (20 °C) > 5 min 31.3 A, 68 °F (20 °C)

### Complementary

Input voltage limits	21...29 V
Charging time	72 h
Load current	1.2 A
Output protection type	Against overload and short-circuits 2 x 30 A automotive type fuses
Connections - terminals	Input connection screw type terminals 4 x 0.5...4 x 10 mm <sup>2</sup> AWG 20...AWG 8 Output connection screw type terminals 4 x 0.5...4 x 10 mm <sup>2</sup> AWG 20...AWG 8
Self-discharge rate	15 %, 6 months 9 %, 3 months 3 %, 1 month
Fixing mode	By 2 screws 0.20 in (5 mm) horizontal panel horizontal By 4 screws 0.20 in (5 mm) vertical panel vertical
Output coupling	Parallel
Operating altitude	6561.68 ft (2000 m)
Service life in hours	11000 H 104 °F (40 °C) 15000 H 95 °F (35 °C) 22000 H 86 °F (30 °C) 31000 H 77 °F (25 °C) 44000 H 68 °F (20 °C) 5000 H 122 °F (50 °C) 7300 h 113 °F (45 °C)
Marking	CE
Net Weight	26.46 lb(US) (12 kg)

### Environment

Product certifications	UL EAC
Ambient air temperature for operation	32...104 °F (0...40 °C)
Ambient air temperature for storage	-4...122 °F (-20...50 °C)
IP degree of protection	IP10 EN/IEC 60529
Overvoltage category	Class 3 VDE 0106-1
Vibration resistance	2 gn 11.9...150 Hz)EN/IEC 61131-2 3.5 mm 3...11.9 Hz)EN/IEC 61131-2

## Ordering and shipping details

Category	22525 - ABL8 AND ABL7 POWER SUPPLIE
Discount Schedule	CP12
GTIN	00785901685227
Nbr. of units in pkg.	1
Package weight(Lbs)	23.01 lb(US) (10.44 kg)
Returnability	No
Country of origin	FR

## Packing Units

Unit Type of Package 1	PCE
Package 1 Height	7.40 in (18.8 cm)
Package 1 width	12.91 in (32.8 cm)
Package 1 Length	7.95 in (20.2 cm)
Unit Type of Package 2	CAR
Number of Units in Package 2	1
Package 2 Weight	23.05 lb(US) (10.455 kg)
Package 2 Height	7.48 in (19 cm)
Package 2 width	7.87 in (20 cm)
Package 2 Length	9.06 in (23 cm)
Unit Type of Package 3	S06
Number of Units in Package 3	10
Package 3 Weight	259.15 lb(US) (117.55 kg)
Package 3 Height	28.94 in (73.5 cm)
Package 3 width	23.62 in (60 cm)
Package 3 Length	31.50 in (80 cm)

## Offer Sustainability

California proposition 65	WARNING: This product can expose you to chemicals including: Lead and lead compounds, which is known to the State of California to cause cancer and birth defects or other reproductive harm. For more information go to <a href="http://www.P65Warnings.ca.gov">www.P65Warnings.ca.gov</a>
REACH Regulation	<a href="#">REACH Declaration</a>
REACH free of SVHC	Yes
EU RoHS Directive	Not applicable, out of EU RoHS legal scope
China RoHS Regulation	<a href="#">China RoHS Declaration</a>
Environmental Disclosure	<a href="#">Product Environmental Profile</a>
Circularity Profile	<a href="#">End Of Life Information</a>
PVC free	Yes

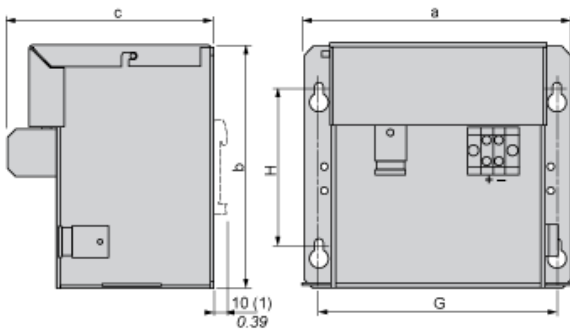
## Contractual warranty

Warranty	18 months
----------	-----------

24 Vdc Battery Module

Dimensions

mm  
inch



ABL	a	b	c	G	H
8BPK24A03	184/7.24	138,5/5.45	131	156/6.14	83/3.27
8BPK24A07	170/6.69	155,5/6.12	131	152/5.98	100/3.94
8BPK24A12	236/9.29	155,5/6.12	131	218/3.94	100/3.94

(1) ABL8BPK24A03 (with kit ABL1A02)

---

24 Vdc Battery Module

---

Mounting



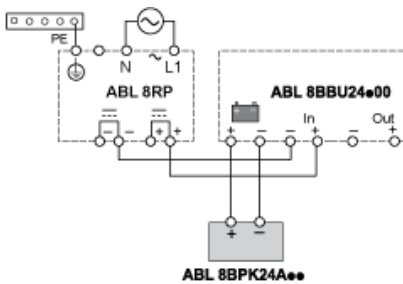
Wiring Requirements

Cable Types and Wire Sizes

	<b>ABL 8BBU24200</b> 6 / 10	<b>ABL 8BBU24400</b> 10 / 6
<b>ABL 8BPK24A**</b> * / - mm <sup>2</sup> /AWG		
		Nm 1,7 Nm max lb-in 15

24 Vdc Battery Module Wiring

Wiring Diagram



Paralleling 2 x ABL8PK24A12

Wiring Diagram

