



HPI

TE Internal #: 1-1775441-2

HPI, Housing, Receptacle, Wire-to-Wire, 12 Position, 1.5mm [.059in]

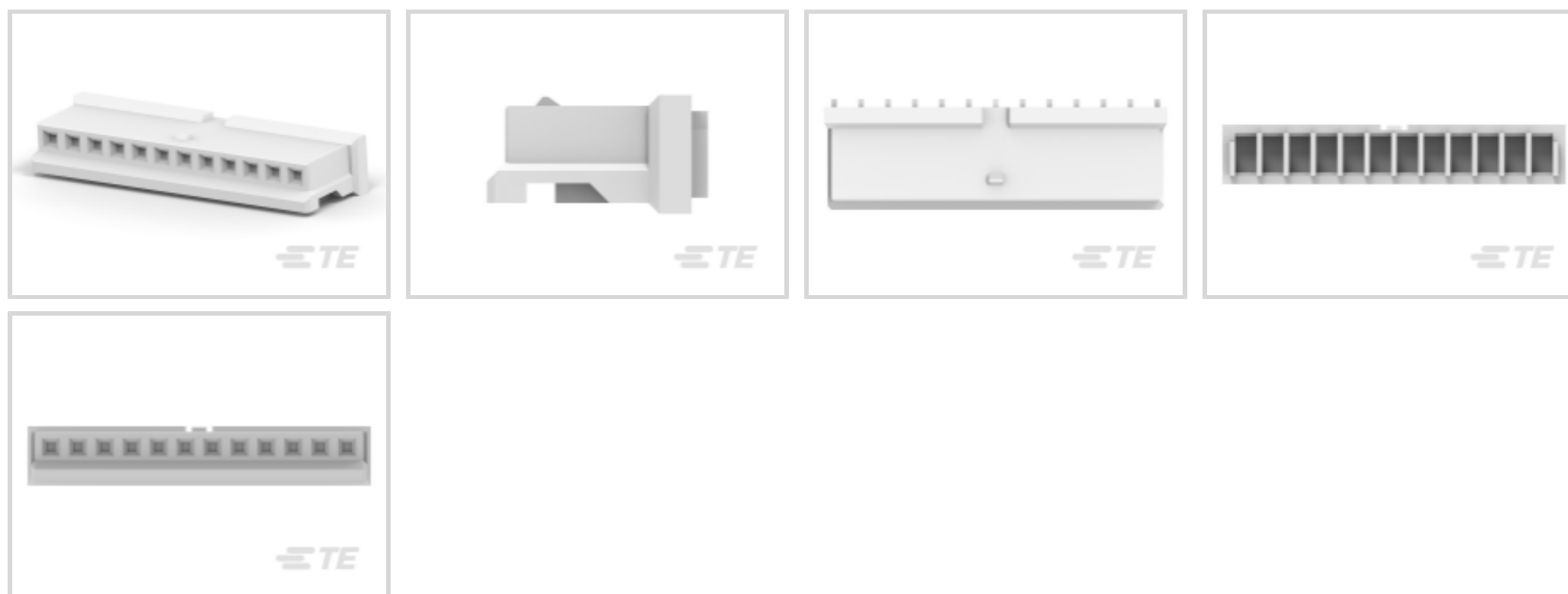
Centerline, Crimp, 1 Row, Natural Housing Color, Mating

Retention, Wire & Cable

[View on TE.com >](#)

Connectors > PCB Connectors > Wire-to-Board Connectors > Wire-to-Board Connector Assemblies & Housings >

AMP HPI 1.5MM RECEPTACLE HOUSINGS



Connector Product Type: **Housing**

Connector & Housing Type: **Receptacle**

Connector System: **Wire-to-Wire**

Number of Positions: **12**

Centerline (Pitch): **1.5 mm [.059 in]**

[All AMP HPI 1.5MM RECEPTACLE HOUSINGS \(15\)](#)

Features

Product Type Features

Connector Product Type	Housing
Connector & Housing Type	Receptacle
Connector System	Wire-to-Wire
Sealable	No
Connector & Contact Terminates To	Wire & Cable

Configuration Features

Number of Positions	12
Number of Rows	1

Electrical Characteristics

Operating Voltage	250 VAC
-------------------	---------

Contact Features

--	--



Contact Layout	Inline
Contact Type	Socket
Contact Current Rating (Max)	3 A

Termination Features

Termination Method to Wire & Cable	Crimp
------------------------------------	-------

Mechanical Attachment

Strain Relief	Without
Panel Mount Feature	Without
PCB Mount Retention	Without
Mating Retention Type	Lock
Mating Retention	With
Connector Mounting Type	Cable Mount (Free-Hanging)

Housing Features

Housing Entry Configuration	Both Ends Closed
Housing Material	Thermoplastic
Centerline (Pitch)	1.5 mm[.059 in]
Housing Color	Natural

Dimensions

Connector Length	19.1 mm[.752 in]
Connector Height	2.7 mm[.106 in]
Connector Width	6.15 mm[.244 in]
Wire Size	.05 – .02 mm ²

Usage Conditions

Operating Temperature Range	-55 – 105 °C[-67 – 221 °F]
-----------------------------	----------------------------

Operation/Application

Circuit Application	Power & Signal
---------------------	----------------

Industry Standards

UL Flammability Rating	UL 94V-0
------------------------	----------

Packaging Features

Packaging Quantity	1000
Packaging Method	Bag

Product Compliance

For compliance documentation, visit the product page on [TE.com](https://www.te.com)>

EU RoHS Directive 2011/65/EU	Compliant
EU ELV Directive 2000/53/EC	Compliant
China RoHS 2 Directive MIIT Order No 32, 2016	No Restricted Materials Above Threshold
EU REACH Regulation (EC) No. 1907/2006	Current ECHA Candidate List: JAN 2021 (211) Candidate List Declared Against: JAN 2018 (181) SVHC > Threshold: Not Yet Reviewed
Halogen Content	Low Halogen - Br, Cl, F, I < 900 ppm per homogenous material. Also BFR/CFR/PVC Free
Solder Process Capability	Not applicable for solder process capability

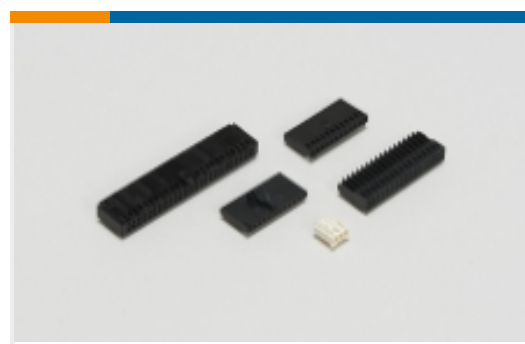
Product Compliance Disclaimer

This information is provided based on reasonable inquiry of our suppliers and represents our current actual knowledge based on the information they provided. This information is subject to change. The part numbers that TE has identified as EU RoHS compliant have a maximum concentration of 0.1% by weight in homogenous materials for lead, hexavalent chromium, mercury, PBB, PBDE, DBP, BBP, DEHP, DIBP, and 0.01% for cadmium, or qualify for an exemption to these limits as defined in the Annexes of Directive 2011/65/EU (RoHS2). Finished electrical and electronic equipment products will be CE marked as required by Directive 2011/65/EU. Components may not be CE marked. Additionally, the part numbers that TE has identified as EU ELV compliant have a maximum concentration of 0.1% by weight in homogenous materials for lead, hexavalent chromium, and mercury, and 0.01% for cadmium, or qualify for an exemption to these limits as defined in the Annexes of Directive 2000/53/EC (ELV). Regarding the REACH Regulation, the information TE provides on SVHC in articles for this part number is based on the latest European Chemicals Agency (ECHA) 'Guidance on requirements for substances in articles' posted at this URL: <https://echa.europa.eu/guidance-documents/guidance-on-reach>

Compatible Parts



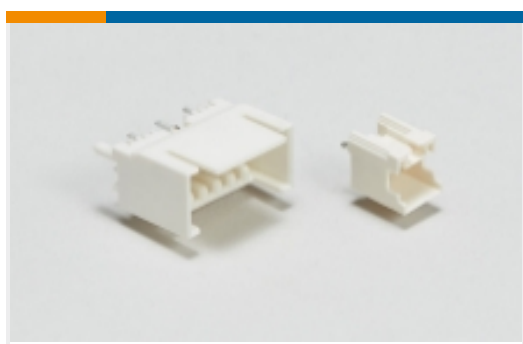
Also in the Series | [HPI](#)



Wire-to-Board Connector Assemblies & Housings(93)



Wire-to-Board Connector Contacts(2)



Wire-to-Board Headers & Receptacles (138)

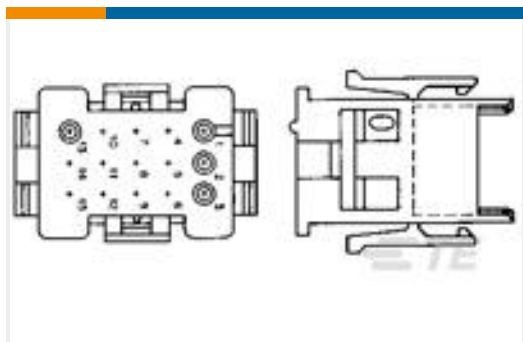
Customers Also Bought



TE Part #1658540-4
D-Sub Connector Contacts: Pin, Brass, Signal, Size 20



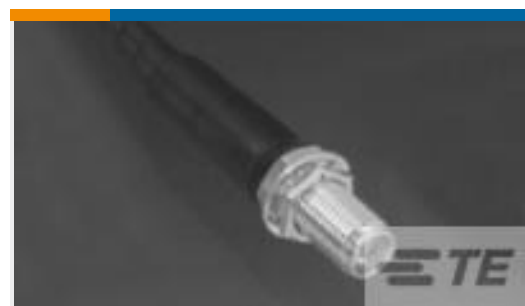
TE Part #1-1775441-3
AMP HPI 1.5MM RECEPTACLE HOUSINGS



TE Part #1-640513-0
15P MR II CAP HSG V0 RED



TE Part #1-104482-1
26 SHORT PT RCPT HSG DR .100CL



TE Part #1051942-1
2034 5008 00,SMA FT CABLE JACK



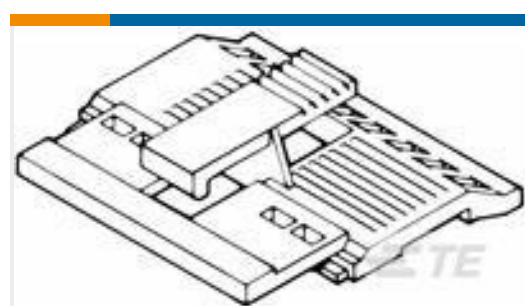
TE Part #1658688-1
D-Sub Crimp Rcpt Signal 15 Posn, Socket Size 22, Shell Size 1



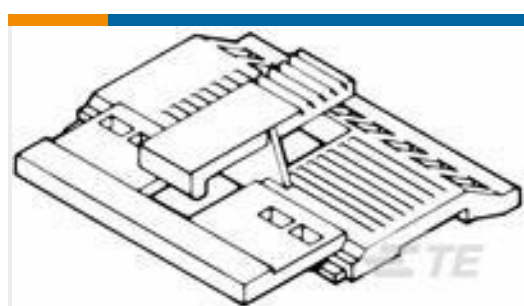
TE Part #1337809-2
50 OHM COAX SMA STR PLUGSTR P



TE Part #T4113511041-000
M12 M, 4P GOLD D_CODE RA SHIELDED PG7



TE Part #102681-7
24 AMPMODU MT COVER DR .100CL



TE Part #1-102681-0
30 AMPMODU MT COVER DR .100CL

Documents

Product Drawings

EMIX CONN., 1.5MM PITCH, RCPT, HSG, 12P

English

CAD Files

3D PDF

3D

Customer View Model

ENG_CVM_CVM_1-1775441-2_B.2d_dxf.zip



English

Customer View Model

[ENG_CVM_CVM_1-1775441-2_B.3d_igs.zip](#)

English

Customer View Model

[ENG_CVM_CVM_1-1775441-2_B.3d_stp.zip](#)

English

By downloading the CAD file I accept and agree to the [Terms and Conditions](#) of use.

Datasheets & Catalog Pages

[HPI Connectors QRG](#)

English

Product Specifications

[Application Specification](#)

English