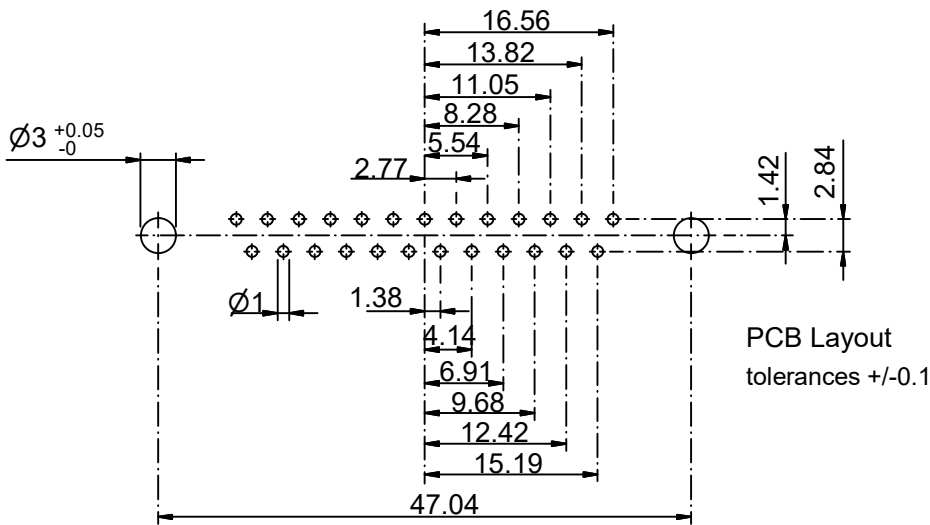
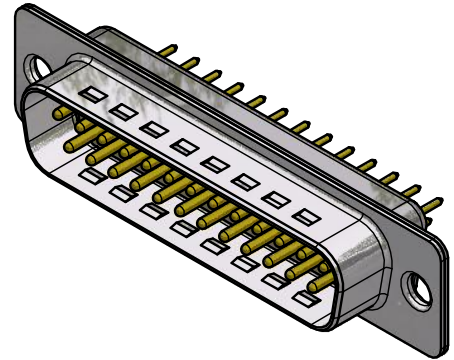
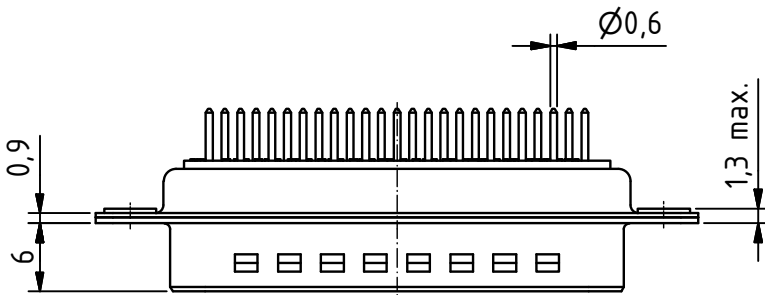
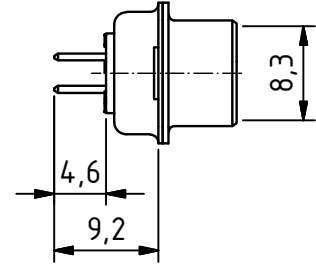
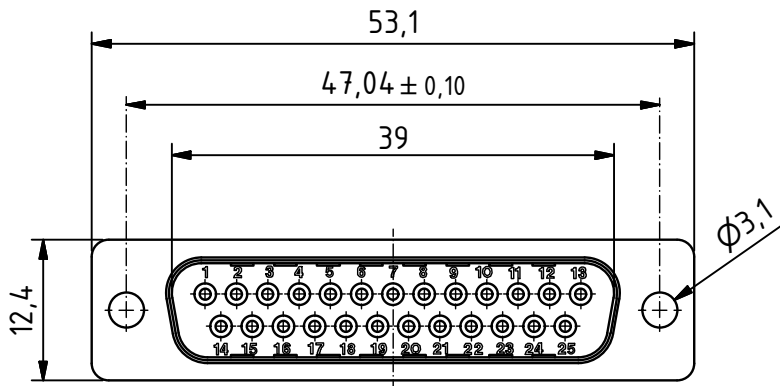


RoHS compliant



General tolerances (Deltron standard)			
size in mm	> 0.5	> 3	> 30
up to 3	±0.1	±0.2	±0.3
up to 6	±0.2	±0.2	±0.3
up to 30	±0.2	±0.2	±0.3
up to 120	±0.2	±0.2	±0.3

Product is suitable for Wave Solder Process

**MATERIALS**

- Insulator: Thermoplastic UL 94-V-0 white
- Contact: Machined / Copper alloy
- Contact finish: Quality class 2 (200 mating cycles)
- Shell: steel tin plated

**CHARAKTERISTICS**

- Working voltage: 125V
- Current rating: 7.5A
- Contact resistance: max. 10mΩ - DIN41652
- Insulation resistance: >5GΩ
- Temperature range: -55° to +125°C

	All dimensions in mm	Rev.	Rev.	Rev.	DE001263		
		Rev.	Rev.	Rev.	part no.		
DTS25PY/2				1.5:1 scale	drawn	22.11.2007	mr
					checked		
					approved		
				Industrie Neuhof 8c CH-3422 Kirchberg www.d-sub.swiss		K050031 drawing no.	