

Cable for programming - RAD-CABLE-USB - 2903447

Please be informed that the data shown in this PDF Document is generated from our Online Catalog. Please find the complete data in the user's documentation. Our General Terms of Use for Downloads are valid (<http://phoenixcontact.com/download>)




USB data cable for communication between the PC and RAD-... Radioline devices. Energy supply for diagnostics and configuration via the USB port of the PC, cable length: 2 m

Why buy this product

- Power supply for diagnostics and configuration via the USB port of the PC

Key Commercial Data

Packing unit	1 STK
GTIN	 4 046356 739429
GTIN	4046356739429
Weight per Piece (excluding packing)	64.300 g
Custom tariff number	85444290
Country of origin	Germany

Technical data

Dimensions

Fixed cable length	2 m
--------------------	-----

Ambient conditions

Ambient temperature (operation)	-25 °C ... 70 °C (-13 °F ... 158 °F)
Ambient temperature (storage/transport)	-40 °C ... 85 °C (-40 °F ... 185 °F)

General

Connection 1	PC side
Connection method	USB 2.0 Fullspeed
Note	serial
Connection 2	Device side
Connection method	IFS data port

Standards and Regulations

Cable for programming - RAD-CABLE-USB - 2903447

Technical data

Standards and Regulations

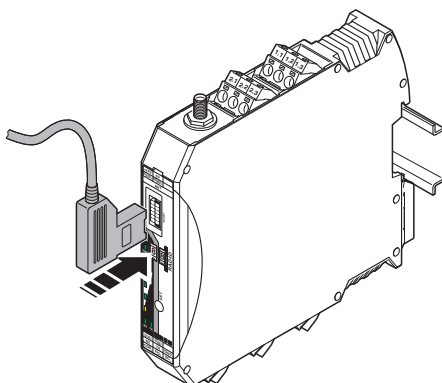
Electromagnetic compatibility	Conformance with EMC Directive 2014/30/EU
Noise emission	EN 61000-6-4
Noise immunity	EN 61000-6-2

Environmental Product Compliance

China RoHS	Environmentally friendly use period: unlimited = EFUP-e
	No hazardous substances above threshold values

Drawings

Schematic diagram



Example application

Approvals

Approvals

Approvals

EAC

Ex Approvals

Approval details

EAC		EAC-Zulassung
-----	--	---------------

