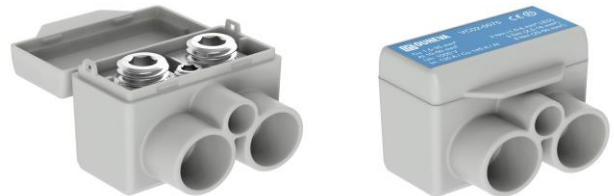


Product data

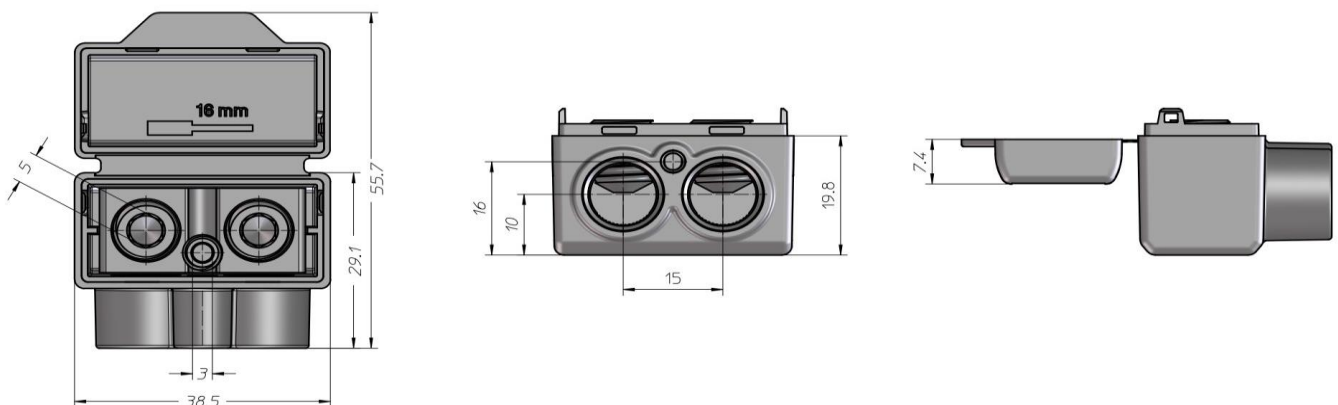
Product code	VC02-0075	STK-code	1914285	EAN-code	6410019142853
Product name	Pole branching connector Al 2x50 / Cu 2x35 + 1,5-6 mm ² Blue			ETIM class	EC000897
Wires	Al 2x16-50 / Cu 2x2,5-35 + 1x1,5-6 mm ²				

Technical data

Nominal current (IEC)	Cu	135	A
	Al	145	A
Nominal voltage (IEC)		1000	V
		-	
		-	
		-	
Number of poles		1	pcs
Max. Cross section		50	mm ²
Tightening torque			
	1,5-6 mm ² (M6)	2	Nm
	2,5-16 mm ² (M10)	3	Nm
	25-50 mm ² (M10)	8	Nm
		-	
Min. installation temperature		+5	°C
Operating temperature		-25...+80	°C
Weight		33	g
IP-protection		IP23/IP33	
Standards	EN 61238-1:2003 ; EN 60947-7-1:2009 ; EN 60529:1991 + A1:2000 + A2:2013		
Color / Material	Grey Housing RAL 7035/PA66-V0, Tin plated Aluminium		
Mounting / Connection	On cable		


Description

Single pole distribution block for branching connections. This connector has two cable inputs for max. 50 mm² cable and one input for 1,5-6 mm² conductor. IP class is IP33 when OD01-0078 sealing kit is used and IP23 when ≥25 mm² conductors are used in bigger conductor spaces and 6 mm² conductors in Led spaces.

Drawing

Package

Package	Box	Pcs / Package	18	Weight [kg]	0,69
Length [mm]	120	Width [mm]	130	Height [mm]	100

Ouneva Oy

Teollisuustie 21
FI-82730 Tuupovaara
Finland

Tel. +358 400 179 750
info@ouneva.fi

www.ounevagroup.fi
www.ounevaproducts.fi