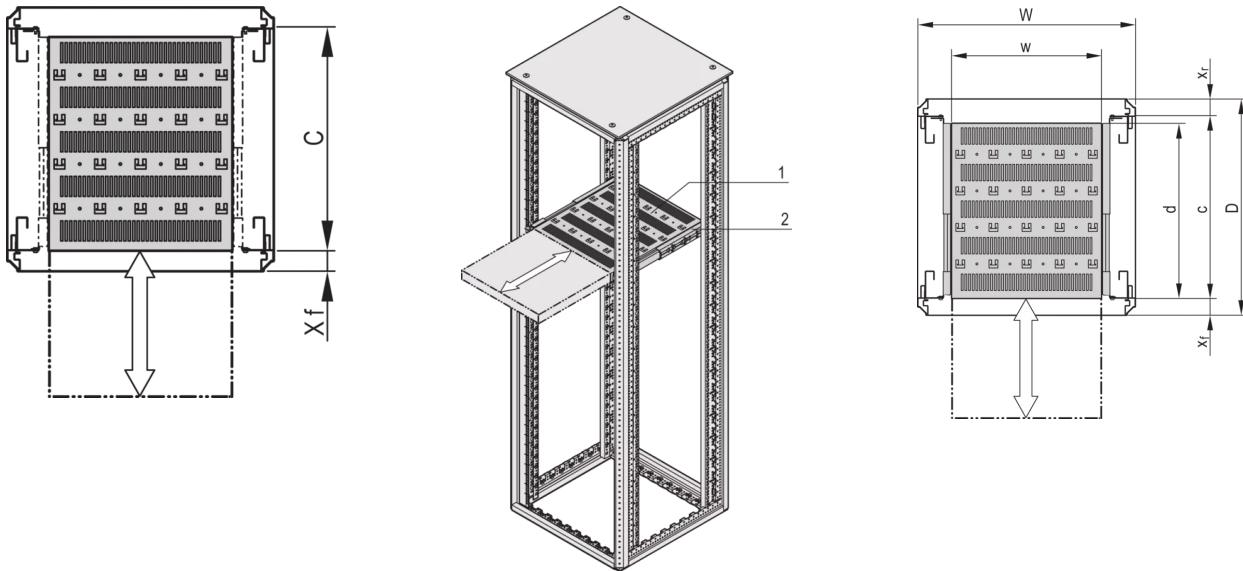


22130-343 VARISTAR 19" SHELF, TELESCOPIC, 30 KG, RAL 7035, 600W 600D



### KEY FEATURES

- Static load-carrying capacity at full extension 30-kg
- Perforated for assembling cable ties
- Mounting height 1 U, for mounting on four 19" panel/slide mounts
- Incl. telescopic slides
- Hammer head perforation to fix cable ties

### PRODUCT ATTRIBUTES

- Product Type: Shelf
- Product Family: Varistar
- Type: Telescopic Shelf
- Color: Light Grey
- Color Code: RAL 7035
- Width: 417 mm
- Depth: 482 mm

## ADDITIONAL PRODUCT DETAILS

---

Varistar 19" Shelf, Stationary with 30 KG load capacity, perforated for ease of assembly.

Mounting bracket for assembly of the telescopic slide on the frame please order separately.

## CERTIFICATIONS

---



### North America

All locations  
+1.763.422.2661  
Chat with us:  
[schroff.nvent.com](https://schroff.nvent.com)

### Europe

Straubenhardt, Germany  
+49.7082.794.0  
Betschdorf, France  
+33.3.88.90.64.90  
Warsaw, Poland  
+48.22.209.98.35  
Assago, Italy  
+39.02.932.7141  
Chat with us:  
[schroff.nvent.com](https://schroff.nvent.com)

### Asia

Shanghai, China  
+86.21.2412.6943  
Qingdao, China  
+86.532.8771.6101  
Singapore  
+65.6768.5800  
Shin-Yokohama, Japan  
+81.45.476.0271  
Chat with us:  
[schroff.nvent.com](https://schroff.nvent.com)

### Middle East & India

Dubai, United Arab Emirates  
+971.4.378.1700  
Bangalore, India  
+91.80.6715.2001  
Istanbul, Turkey  
+90.216.250.7374  
Chat with us:  
[schroff.nvent.com](https://schroff.nvent.com)



Our powerful portfolio of brands:  
[nVent.com](https://nVent.com) **CADDY ERICO HOFFMAN RAYCHEM SCHROFF TRACER**

© 2023 nVent. All nVent marks and logos are owned or licensed by nVent Services GmbH or its affiliates. All other trademarks are the property of their respective owners.

nVent reserves the right to change specifications without notice.