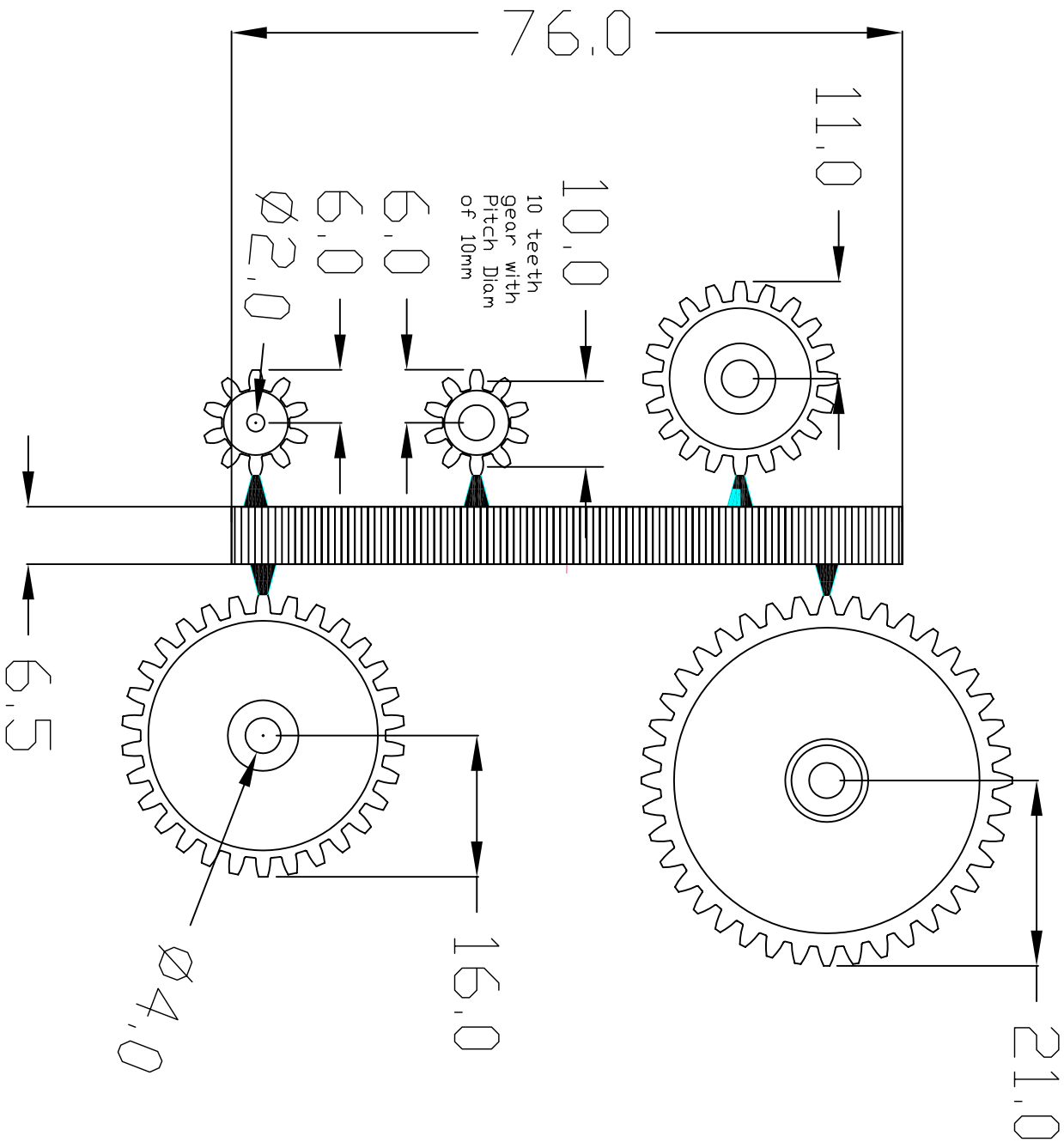


Construction Materials

Order code	Manufacturer code	Description
37-0280	n/a	PRIMARY GEAR PACK 100 (RE)

Construction Materials	Page 1 of 2
The enclosed information is believed to be correct, Information may change without notice due to product improvement. Users should ensure that the product is suitable for their use. E. & O. E.	Revision A 20/02/2007

TOLERANCE UNLESS OTHERWISE STATED	
GENERAL TOLERANCE	± 0.5mm
ONE DECIMAL PLACE	± 0.2mm
TWO DECIMAL PLACES	± 0.1mm
ANGLES	± °



A Module Gear is defined as:-

$$m = D / N$$

For a Mod 1 Gear

Pitch Diameter = Number of Teeth

eg:

For a mod 1 10 teeth gear the pitch diameter is 10mm

- m = module number
- D = pitch diameter
- N = number of teeth

16/12/02	1
Date	Issue

PENATUBE LTD.

DESCRIPTION : 1 MDD GEAR SET

PROD Code: RAP 4910

PART No.: 4910

DRAWING No. : T 224

MATERIAL : PolyPropylene
SCALE : FINISH :

drawn RS
checked
date 16/12/02