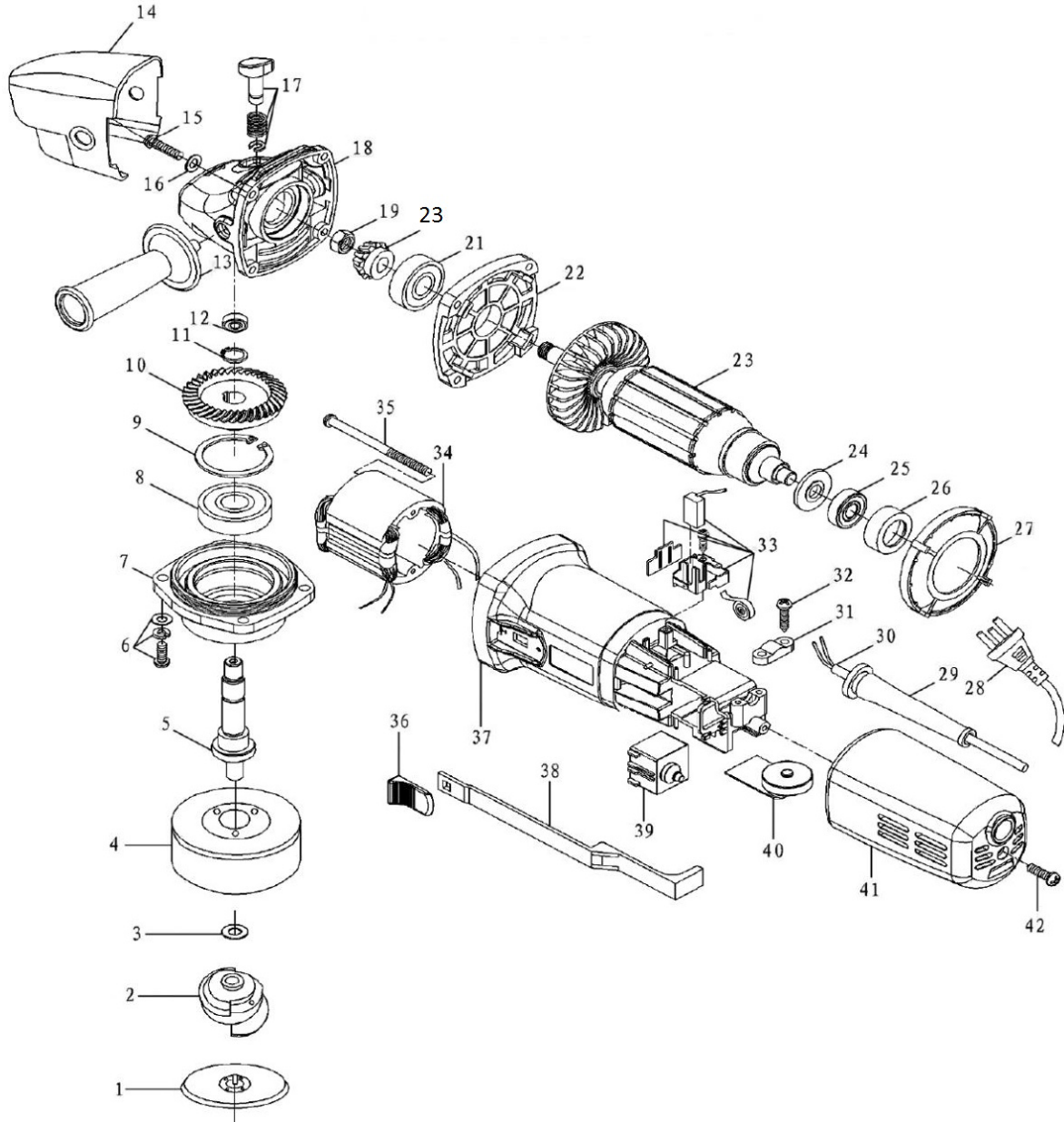




Parts Information:  
Random Orbital Dual Action Sander  
Ø150mm 230V  
Model No: DAS150T.V5



**NOTE:** It is our policy to continually improve products and as such we reserve the right to alter data, specifications and component parts without prior notice.

**IMPORTANT:** No liability is accepted for incorrect use of product.

**WARRANTY:** Guarantee is 12 months from purchase date, proof of which will be required for any claim.

Sealey Group, Kempson Way, Suffolk Business Park, Bury St Edmunds, Suffolk. IP32 7AR



01284 757500



01284 703534



sales@sealey.co.uk



www.sealey.co.uk



Parts Information:  
**Random Orbital Dual Action Sander**  
**Ø150mm 230V**  
**Model No: DAS150T.V5**

Item	Part No.	Description
1	PTC/150VA	DA PAD for HOOK & LOOP DISCS 145mm 5/16"
2	DAS150T.V5-02	COUNTER WEIGHT ASSEMBLY
3	DAS150T.V5-03	WASHER 3/8" OFF CENTRE HOLE
4	DAS150T.V5-04	COVER
5	DAS150T.V5-05	SHAFT
6	DAS150T.V5-06	SCREW ASSY
7	DAS150T.V5-07	GEAR HSG COVER
8	B/6201-2RS	BEARING 6201-2RS
9	DAS150T.V5-09	SNAP RING
10	DAS150T.V5-10	GEAR
11	DAS150T.V5-11	SNAP RING
12	B/696ZZ	BEARING 696ZZ
13	DAS150T.V5-13	SIDE HANDLE
14	DAS150T.V5-14	PLASTIC COVER
15	DAS150T.V5-15	SCREW
16	DAS150T.V5-16	WASHER
17	DAS150T.V5-17	SPINDLE LOCK ASSEMBLY
18	DAS150T.V5-18	GEAR HSG (INC. PART 17)
19	DAS150T.V5-19	SCREW
21	B/6000	BEARING 6000
22	DAS150T.V5-22	GEAR HOUSING COVER
23	DAS150T.V5-23	ROTOR C/W GEAR)

Item	Part No.	Description
24	DAS150T.V5-24	WASHER
25	B/607Z	BEARING 607Z
26	DAS150T.V5-26	DECOUPLE RING
27	DAS150T.V5-27	BAFFLE
28/30	MC2CX1.0	MAINS CABLE BLK, 2 CORE, 1.0MM2
29	DAS150T.V5-29	CORD SLEEVE
31	DAS150T.V5-31	CORD CLIP
32	DAS150T.V5-32	SCREW
33	DAS150T.V5-33	CARBON BRUSH
34	DAS150T.V5-34	STATOR
35	DAS150T.V5-35	SCREW
36	DAS150T.V5-36	SWITCH BUTTON
37	DAS150T.V5-37	MOTOR HOUSING
38	DAS150T.V5-38	SWITCH SLIDE
39	DAS150T.V5-39	SWITCH
40	DAS150T.V5-40	DIAL
41	DAS150T.V5-41	MOTOR HSG COVER
42	DAS150T.V5-42	SCREW
--	DAS150T.V5-43	14MM SPINDLE WRENCH (NOT SHOWN)
--	PTC/150SA	DA PAD for STICK-ON DISCS 145mm 5/16"UNF (NOT SHOWN)
--	PTC/150A	DA PAD for STICK-ON DISCS 148mm 5/16"UNF (NOT SHOWN)

**NOTE:** It is our policy to continually improve products and as such we reserve the right to alter data, specifications and component parts without prior notice.

**IMPORTANT:** No liability is accepted for incorrect use of product.

**WARRANTY:** Guarantee is 12 months from purchase date, proof of which will be required for any claim.

**Sealey Group**, Kempson Way, Suffolk Business Park, Bury St Edmunds, Suffolk. IP32 7AR



01284 757500



01284 703534



sales@sealey.co.uk



www.sealey.co.uk