

NOTE: It is our policy to continually improve products and as such we reserve the right to alter data, specifications and component parts without prior notice.

IMPORTANT: No liability is accepted for incorrect use of product.

WARRANTY: Guarantee is 12 months from purchase date, proof of which will be required for any claim.



Parts Information:
Hydraulic Platform Truck 1000kg
Model No: HPT1000

| Item | Part No. | Description |
|------|-------------|------------------------------------|
| 101 | HPT1000.101 | HANDLE GRIP |
| 102 | HPT1000.102 | CONTROL HANDLE |
| 103 | HPT1000.103 | ELASTIC PIN |
| 104 | SN8.S | STEEL NUT M8 ZINC DIN934 (SINGLE) |
| 105 | HPT750.105 | BOLT WITH HOLE M8X25 |
| 106 | HPT1000.106 | JACKET |
| 107 | HPT1000.107 | PULL ROD |
| 108 | HPT1000.108 | ELASTIC PIN |
| 109 | HPT1000.109 | SHAFT |
| 110 | HPT1000.110 | CAM |
| 111 | HPT1000.111 | PEDAL |
| 112 | HPT1000.112 | SCREW |
| 113 | SN8.S | STEEL NUT M8 ZINC DIN934 (SINGLE) |
| 114 | FWM12.S | FLAT WASHER M12 SINGLE |
| 115 | SWM12.S | SPRING WASHER M12 ZINC (SINGLE) |
| 116 | HPT1000.116 | BOLT M8X10 |
| 117 | SS1025.S | HEX HEAD SET SCREW M10x25mm SINGLE |
| 118 | SN10.S | STEEL NUT M10 ZINC DIN934(SINGLE) |
| 119 | HPT1000.119 | WASHER |
| 120 | HPT1000.120 | SPRING |
| 121 | HPT1000.121 | WHEEL, SEAT |
| 122 | HPT1000.122 | SKT. HD BOLT M12X80 |
| 123 | HPT1000.123 | BRAKE |
| 124 | HPT1000.124 | WASHER |
| 125 | B/6204-2RS | BEARING 6204-2RS |
| 126 | HPT1000.126 | WHEEL, FIXED (150x40x50) |
| 127 | HPT1000.127 | AXLE |
| 128 | SWM12.S | SPRING WASHER M12 ZINC (SINGLE) |
| 129 | SN12.S | STEEL NUT M12 ZINC DIN934(SINGLE) |
| 130 | B/6205-2RS | BEARING 6205-2RS |
| 131 | HPT1000.131 | COLLAR |
| 132 | B/30205 | BEARING 30205 |
| 133 | HPT1000.133 | MAIN FRAME |

| Item | Part No. | Description |
|------|-------------|-----------------------------------|
| 134 | HPT1000.134 | BOLT |
| 135 | HPT1000.135 | SHAFT |
| 136 | HPT1000.136 | RETAINING RING |
| 137 | HPT1000.137 | WHEEL AXLE |
| 138 | HPT1000.138 | PUMP UNIT |
| 139 | HPT1000.139 | PIN |
| 140 | HPT1000.140 | ROLLER |
| 141 | HPT1000.141 | RETAINING RING |
| 142 | HPT1000.142 | PIN |
| 143 | HPT1000.143 | CYLINDER WASHER |
| 144 | HPT1000.144 | RETAINING RING |
| 145 | HPT1000.145 | CONNECTING ROD |
| 146 | HPT1000.146 | CUSHION |
| 147 | SS825.S | HEX HEAD SET SCREW M8x25mm SINGLE |
| 148 | FWM8.S | FLAT WASHER M8 SINGLE |
| 149 | SWM8.S | SPRING WASHER M8 ZINC (SINGLE) |
| 150 | SN8.S | STEEL NUT M8 ZINC DIN934 (SINGLE) |
| 151 | HPT1000.151 | PROTECTING COVER |
| 152 | HPT1000.152 | PEDAL BAR |
| 153 | HPT1000.153 | RETAINING RING |
| 154 | HPT1000.154 | ROLLER |
| 155 | HPT1000.155 | ROLLER |
| 156 | HPT1000.156 | TABLE |
| 157 | HPT1000.157 | RETAINING RING |
| 158 | HPT1000.158 | SHAFT |
| 159 | HPT1000.159 | FORK ARM |
| 160 | HPT1000.160 | WASHER, ELASTIC |
| 161 | HPT1000.161 | SCREW |
| 162 | HPT1000.162 | SCREW |
| 163 | HPT1000.163 | NUT |
| 164 | HPT1000.164 | SUPPORT PLANK |
| 165 | HPT1000.165 | ELASTIC PIN |

NOTE: It is our policy to continually improve products and as such we reserve the right to alter data, specifications and component parts without prior notice.

IMPORTANT: No liability is accepted for incorrect use of product.

WARRANTY: Guarantee is 12 months from purchase date, proof of which will be required for any claim.

Sealey Group, Kempson Way, Suffolk Business Park, Bury St Edmunds, Suffolk. IP32 7AR



01284 757500



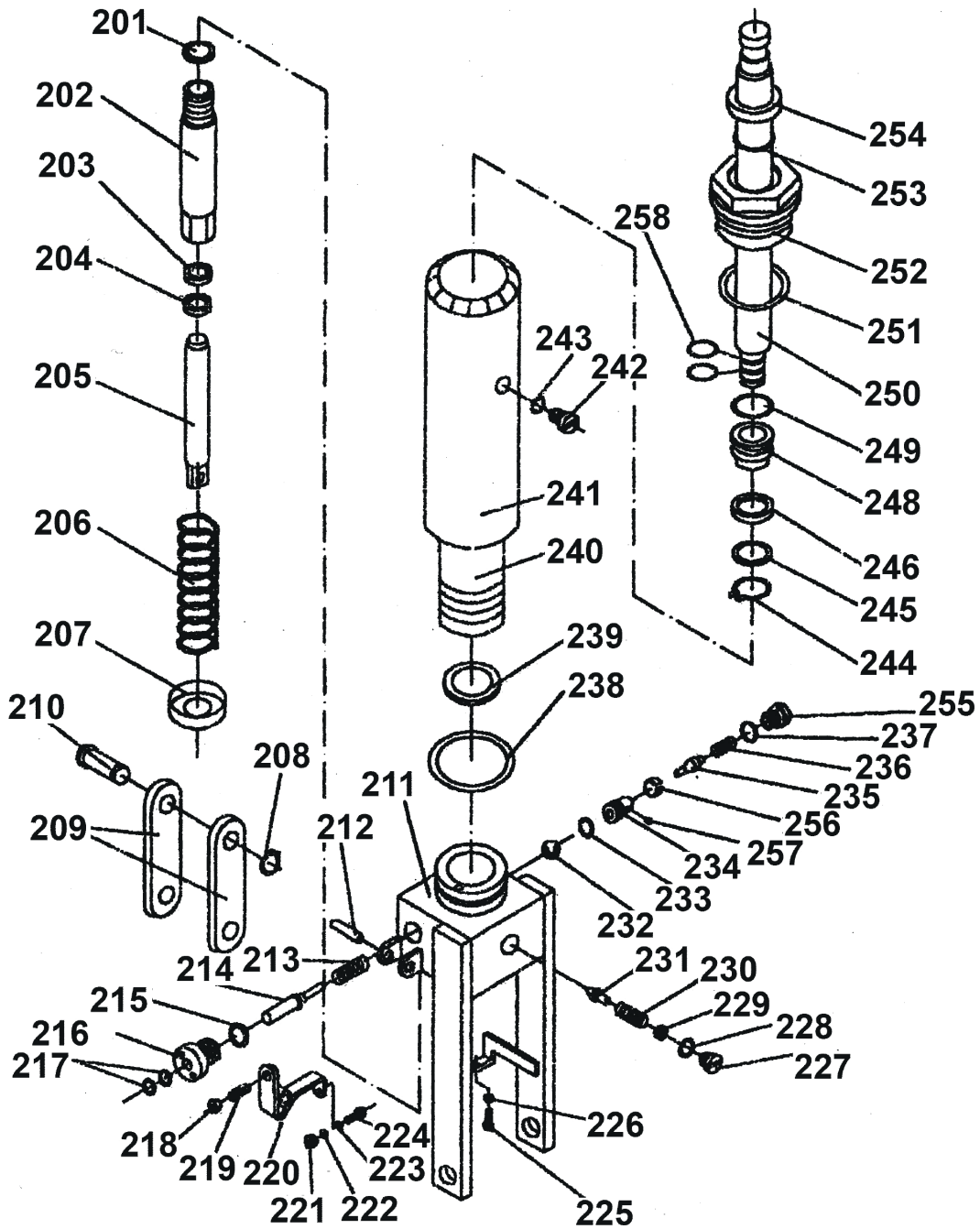
01284 703534



sales@sealey.co.uk



www.sealey.co.uk



NOTE: It is our policy to continually improve products and as such we reserve the right to alter data, specifications and component parts without prior notice.

IMPORTANT: No liability is accepted for incorrect use of product.

WARRANTY: Guarantee is 12 months from purchase date, proof of which will be required for any claim.



Parts Information:
Hydraulic Platform Truck 1000kg
Model No: HPT1000

| Item | Part No. | Description |
|------|-------------|-----------------|
| 201 | HPT1000.201 | WASHER, SEAL |
| 202 | HPT1000.202 | PUMP CYLINDER |
| 203 | HPT1000.203 | DUST RING |
| 204 | HPT1000.204 | Y-SEAL |
| 205 | HPT1000.205 | PUMP PISTON |
| 206 | HPT1000.206 | SPRING |
| 207 | HPT1000.207 | SPRING CAP |
| 208 | HPT1000.208 | RETAINING RING |
| 209 | HPT1000.209 | JOINT PLATE |
| 210 | HPT1000.210 | PIN |
| 211 | HPT1000.211 | PUMP BODY |
| 212 | HPT1000.212 | PIN, ELASTIC |
| 213 | HPT1000.213 | SPRING |
| 214 | HPT1000.214 | PIN, STRIKE |
| 215 | HPT1000.215 | WASHER, SEAL |
| 216 | HPT1000.216 | SLEEVE, AXLE |
| 217 | HPT1000.217 | O-RING |
| 218 | HPT1000.218 | NUT |
| 219 | HPT1000.219 | SCREW |
| 220 | HPT1000.220 | LEVER PLATE |
| 221 | HPT1000.221 | NUT |
| 222 | HPT1000.222 | WASHER, ELASTIC |
| 223 | HPT1000.223 | WASHER |
| 224 | HPT1000.224 | BOLT c/w HOLE |
| 225 | HPT1000.225 | BOLT c/w HOLE |
| 226 | HPT1000.226 | NUT |
| 227 | HPT1000.227 | PLUG |
| 228 | HPT1000.228 | O-RING |
| 229 | HPT1000.229 | BOLT, ADJUSTING |

| Item | Part No. | Description |
|------|-------------|------------------------|
| 230 | HPT1000.230 | SPRING |
| 231 | HPT1000.231 | SPINDLE, SAFETY VALVE |
| 232 | HPT1000.232 | STEEL BALL |
| 233 | HPT1000.233 | PUMP VALVE SEAT |
| 234 | HPT1000.234 | SPINDLE, PUMP VALVE |
| 235 | HPT1000.235 | SPRING |
| 236 | HPT1000.236 | WASHER, SEAL |
| 237 | HPT1000.237 | PLUG |
| 238 | HPT1000.238 | O-RING |
| 239 | HPT1000.239 | WASHER, SEAL |
| 240 | HPT1000.240 | CYLINDER |
| 241 | HPT1000.241 | HOUSING |
| 242 | HPT1000.242 | BOLT |
| 243 | HPT1000.243 | WASHER, SEAL |
| 244 | HPT1000.244 | RETAINING RING |
| 245 | HPT1000.245 | WASHER |
| 246 | HPT1000.246 | O-RING |
| 247 | HPT1000.247 | CUP PACKING |
| 248 | HPT1000.248 | PISTON |
| 249 | HPT1000.249 | O-RING |
| 250 | HPT1000.250 | PISTON ROD |
| 251 | HPT1000.251 | WASHER, SEAL |
| 252 | HPT1000.252 | CYLINDER CAP |
| 253 | HPT1000.253 | O-RING |
| 254 | HPT1000.254 | DUST RING |
| 255 | HPT1000.255 | PLUG |
| 256 | HPT1000.256 | LIQUID THROTTLE SHEATH |
| 257 | HPT1000.257 | SCREW |
| 258 | HPT1000.258 | O-RING |

NOTE: It is our policy to continually improve products and as such we reserve the right to alter data, specifications and component parts without prior notice.

IMPORTANT: No liability is accepted for incorrect use of product.

WARRANTY: Guarantee is 12 months from purchase date, proof of which will be required for any claim.

Sealey Group, Kempson Way, Suffolk Business Park, Bury St Edmunds, Suffolk. IP32 7AR



01284 757500



01284 703534



sales@sealey.co.uk



www.sealey.co.uk