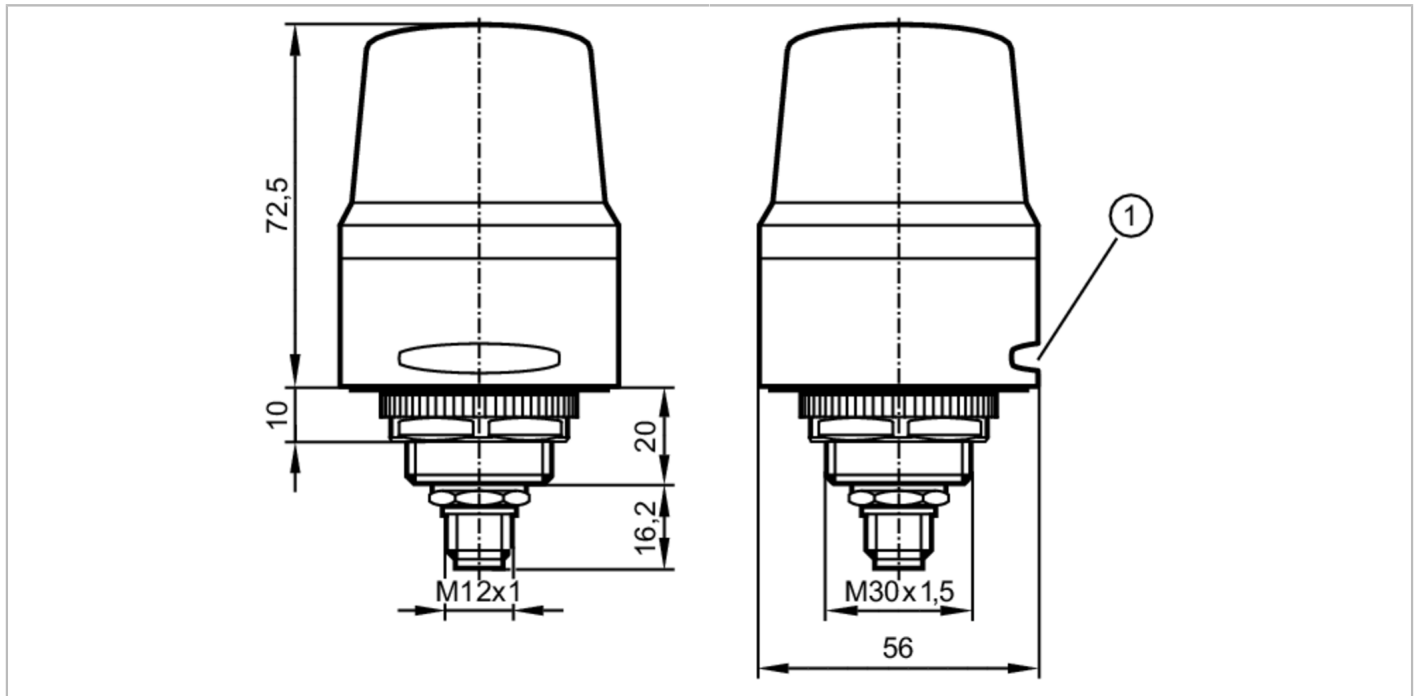


DV2131



1-segment signal lamp

LED-Lamp/IOL/Buzzer/Button



Application	
Application	signalling machine conditions
Electrical data	
Operating voltage [V]	18...30 DC; (to SELV/PELV)
Nominal voltage DC [V]	24
Max. current consumption [mA]	90
Interfaces	
Communication interface	IO-Link
Transmission type	COM2 (38.4 kBaud)
IO-Link revision	1.1
SDCI standard	IEC 61131-9
IO-Link device ID	1176 d / 00 04 98 h
SIO mode	yes
Required master port type	A
Min. process cycle time [ms]	2.3
Operating conditions	
Ambient temperature [°C]	-25...50
Storage temperature [°C]	-40...75
Max. relative air humidity [%]	90
Max. height above sea level [m]	4000
Protection	IP 65
Degree of soiling	2

DV2131



1-segment signal lamp

LED-Lamp/IOL/Buzzer/Button

Mechanical data	
Weight [g]	169.5
Dimensions [mm]	Ø 56 / L = 72.5
Materials	housing: PC
Displays / operating elements	
Display	LED segment, red / green / yellow / blue / lilac / cyan / white
Operating elements	capacitive pushbutton
Acoustic signal	buzzer
Max. sound pressure [dB]	90
Remarks	
Remarks	For further information please see the operating instructions.
Pack quantity	1 pcs.
Electrical connection - plug	
IO-Link	
1	UB+
2	not used
3	UB-
4	IO-Link
5	not used
standard mode	
1	IN1 red
2	IN2 green
3	GND
4	configurable (buzzer / Capacitive touch sensor)
5	IN3 blue
Connector: M12	
