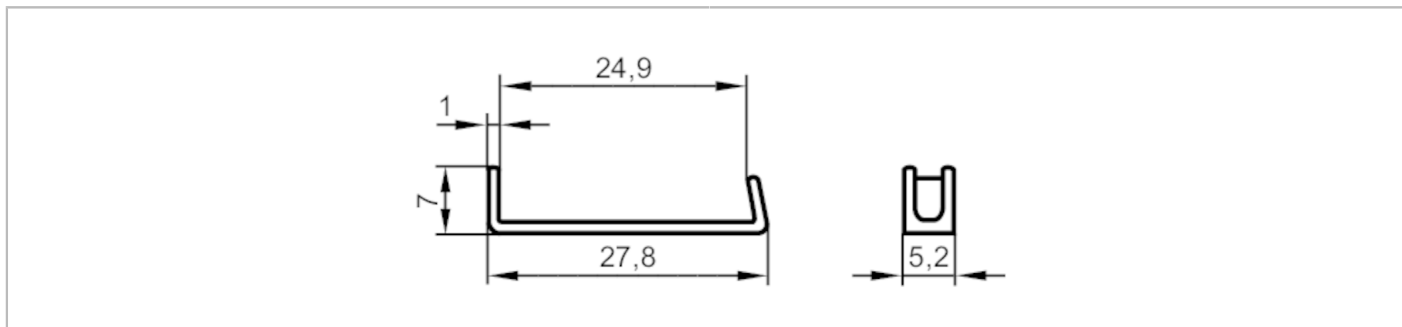


# E12218



## Mounting adapter for Norgren pneumatic cylinders

ADAPT FOR NORGREN SERIES M



### Application

Design	for types MKT
--------	---------------

### Operating conditions

Ambient temperature	[°C]	-25...85
---------------------	------	----------

### Mechanical data

Weight	[g]	2.9
Type of mounting	for series: Norgren M	
Materials	stainless steel	

### Remarks

Pack quantity	1 pcs.
---------------	--------