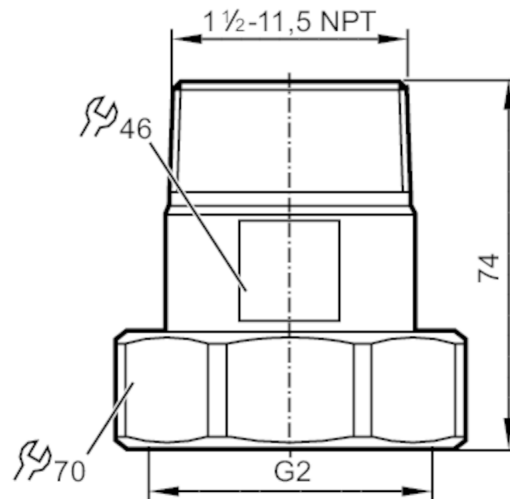


E40229



Mounting adapter for inline flow sensors

ADAPT /SM/1/NPT 1 1/2



CRN

Application	
Design	for flow sensors Typ SM2, SM9
Pressure rating [bar]	16
MAWP (for applications according to CRN) [bar]	16
Mechanical data	
Weight [g]	1408
Materials	Adapter: stainless steel (1.4571/316Ti); Gasket: Centellen 55 x 43 x 3 mm
Sensor connection	G 2
Process connection	1 1/2 NPT
Accessories	
Accessories (supplied)	O-rings: 2
Remarks	
Pack quantity	2 pcs.