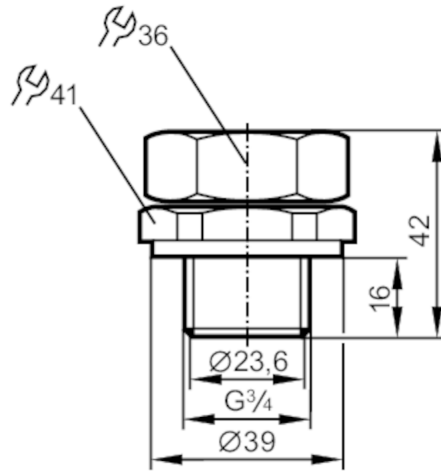


E43008



Mounting adapter for level sensors

MOUNTING ADAPTER G3/4/D22



Application	
Design	for climatic tube LK, LI
Pressure rating [bar]	0.5
Operating conditions	
Ambient temperature [°C]	0...80
Mechanical data	
Weight [g]	195
Materials	stainless steel; NBR; Tesnit; brass
Tightening torque [Nm]	6...8
Process connection	G 3/4
Remarks	
Pack quantity	1 pcs.