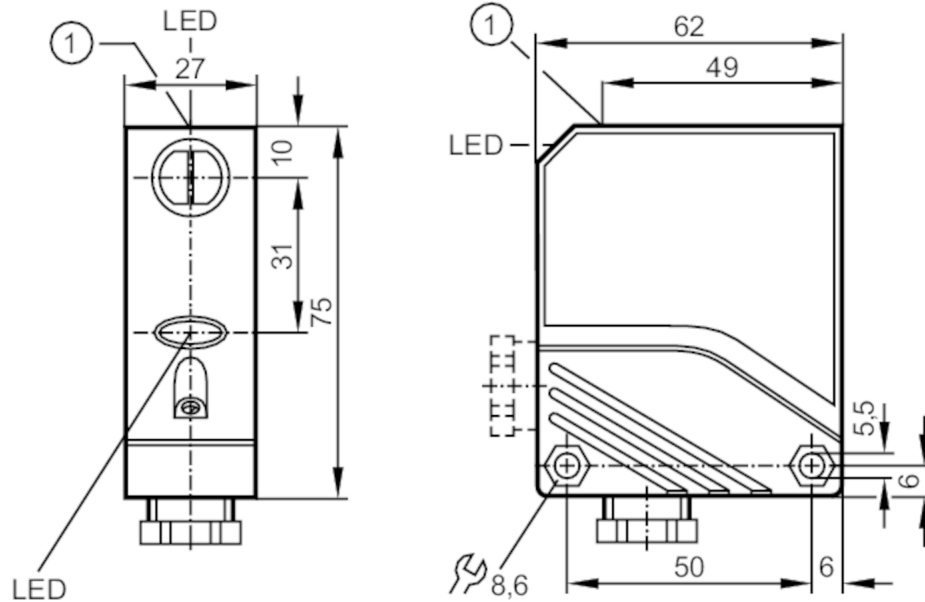




Diffuse reflection sensor

OLT-FKOA



1 pushbutton



Product characteristics

Type of light	infrared light
Housing	rectangular
Dimensions [mm]	75 x 27 x 62

Application

Function principle	Diffuse reflection sensor
--------------------	---------------------------

Electrical data

Frequency AC [Hz]	47...63
Operating voltage [V]	20...250 AC/DC
Max. power consumption [VA]	4
Protection class	II
Reverse polarity protection	no
Type of light	infrared light
Wave length [nm]	880

Outputs

Electrical design	relay
Output function	light-on/dark-on mode; (programmable)
Contact rating	250 V AC / 3 A / 960 VA, 125 V DC / 5 A / 120 W
Switching frequency AC [Hz]	10
Switching frequency DC [Hz]	10
Short-circuit proof	no
Overload protection	no

OL0005



Diffuse reflection sensor

OLT-FKOA

Detection zone		
Range	[mm]	1...1000; (white paper 200 x 200 mm 90% remission)
Range adjustable		yes
Max. light spot diameter	[mm]	300
Light spot dimensions refer to		at maximum range
Operating conditions		
Ambient temperature	[°C]	-25...80
Protection		IP 67
Tests / approvals		
EMC	EN 60947-5-2	class B
	EN 55011	
MTTF	[years]	226
Mechanical data		
Weight	[g]	171
Housing		rectangular
Dimensions	[mm]	75 x 27 x 62
Materials		PA; PBT
Lens material		PMMA
Lens alignment		side lens
Displays / operating elements		
Display	switching status	1 x LED, yellow
	operation	1 x LED, green
	function	1 x LED, red
Electrical connection		
Required protection		miniature fuse to IEC60127-2 sheet 1; ≤ 5 A; fast acting
Remarks		
Remarks		Recommendation: Check the safe functioning of the unit after a short circuit.
Pack quantity		1 pcs.

OL0005



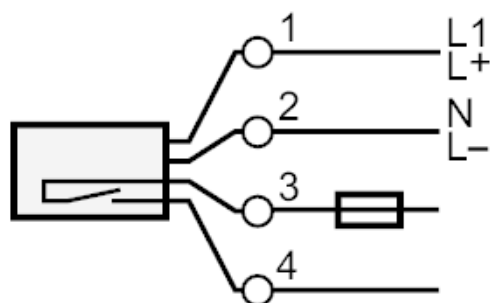
Diffuse reflection sensor

OLT-FKOA

Electrical connection

terminals: ...1.5 mm²; Cable sheath: Ø 4.5...10 mm; Cable gland: M16 X 1.5

Connection



Note : miniature fuse to IEC60127-2 sheet 1 ≤ 5 A fast acting

Diagrams and graphs

excess gain graph

