

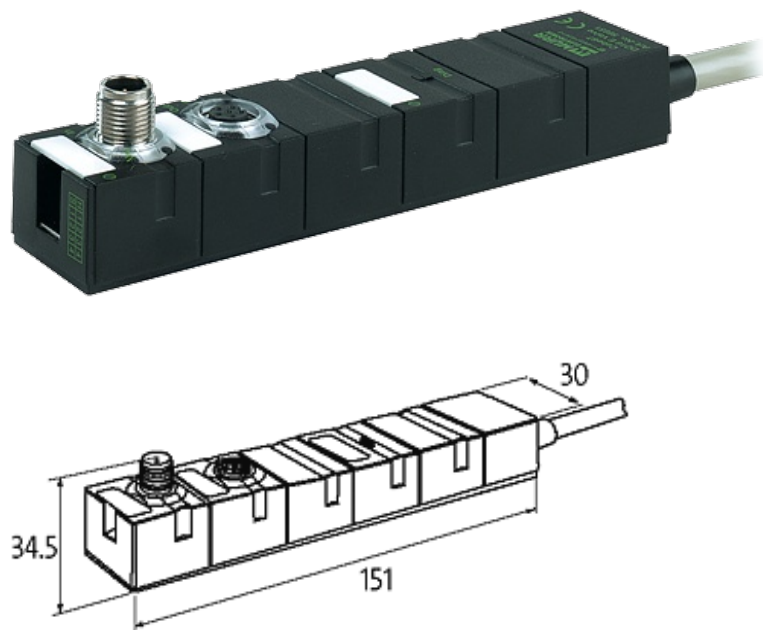
CUBE67 DI16/DO16 E CABLE GIDUE 0,5A

Expansion module
DI16/DO16 - 0.5 A (E) SUB-D37 (0.5 m)
with SUB-D37 (female)

For connection cables please see chapter "Connection Technology" All housings are fully potted

[Link to Product](#)

Illustration



Product may differ from Image

Input

Sensor supply US	24 V DC (EN 61131-2), max. 0.2 A
Type	for 3-wire sensors or mechanical switches, PNP, (EN 61131-2)
Input filter	1 ms

Internal communication

Current consumption	max. 50 mA
LED display	US: sensor supply and internal supply voltage (green: OK); UA: actuator supply (green: OK)

Connections

Fieldbus	via internal system connection
Sensor-system/actuator supply	via internal system connection (max. 2×4 A)
I/O ports	Cable (0.5 m) / SUB-D37

Cables

No./diameter of wires	36 × 0.14 mm ²
Material (jacket)	PVC

General data

Protection	IP20/IP67
Mounting method	2-hole screw mounting
Temperature range	0...+55 °C (storage temperature -20...+75 °C)
Dimensions H × W × D	150×30×34.5 mm

Output

Actuator supply UA	24 V DC (EN 61131-2), via system connection (max. 4 A)
Switching current per output	max. 0.5 A (short-circuit and overload protected)

Diagnostic

Communication status	via LED
Diagnostic via LED	per module and channel
Diagnostic via BUS	per module and channel
Monitoring - under voltage	yes
Monitoring - no voltage	yes
Short circuit and overload	yes
Actuator warning	per channel via LED and BUS

Commercial data

country of origin	DE
customs tariff number	85176200
minimum order quantity	1