



CE

Model Number

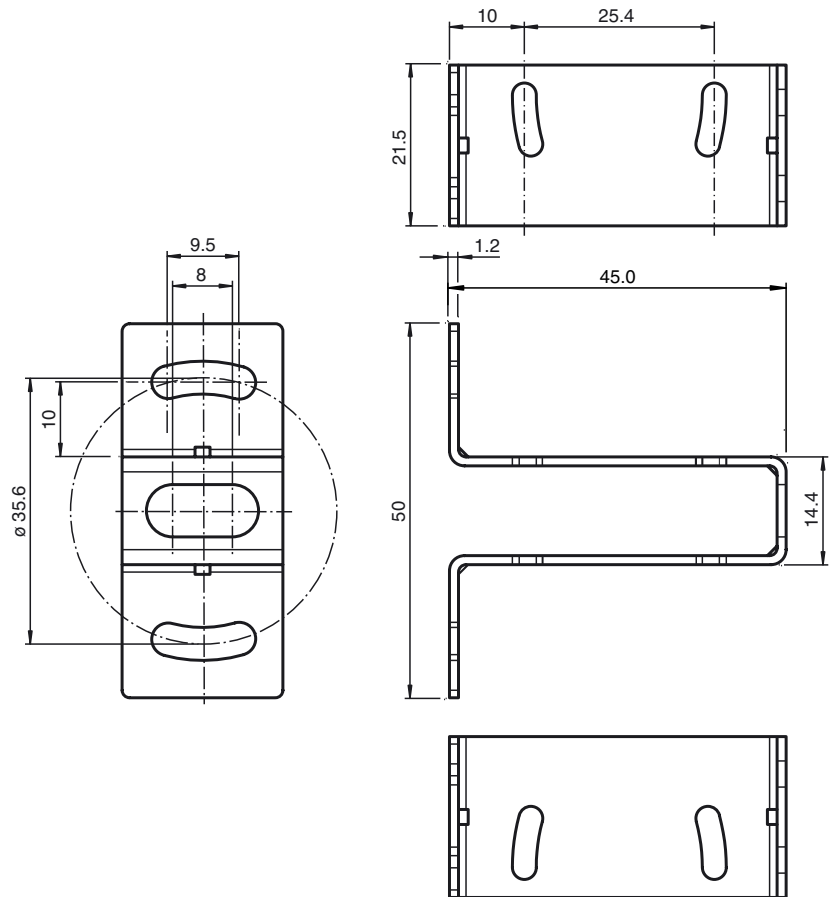
OMH-ML100-02

Mounting bracket

Features

- Mounting bracket
- Simple and fast mounting

Dimensions



Technical data

Mechanical specifications

Material	Stainless steel
Mass	approx. 23 g
Mounting	Mounting accessories included

Suitable series

Series	ML100
--------	-------