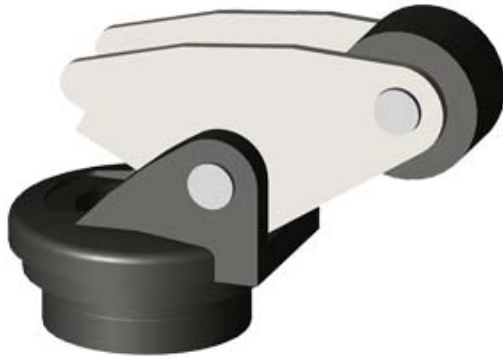


ACTUATOR HEAD FOR POSITION SWITCH 3SE52
ANGULAR ROLLER LEVER, STAINLESS STEEL
LEVER WITH PLASTIC ROLLER 13MM, FUNCTIONAL
AT -40 DEGREES



Product designation	actuator head for position switch
---------------------	-----------------------------------

General technical data:

Product function		Yes
• positive opening		
Shock resistance		30g / 11 ms
Vibration resistance		0.35 mm / 5g
Mechanical service life (switching cycles)		15 000 000
• typical		
Material of the enclosure of the switch head		plastic
Equipment marking		T
• acc. to DIN EN 61346-2		
• acc. to DIN EN 81346-2		T
Active principle		mechanical
Explosion protection category for dust		none
Explosion protection category for gas		none
Minimum actuating force in activation direction	N	10

Enclosure:

Coating of the enclosure	Other types
---------------------------------	-------------

Drive Head:

Design of the operating mechanism		Stainless steel lever, plastic roller
Standard-compliant actuator head		EN 50047
Shape of the switch head		roller
Outer diameter of the switch head	mm	13

Communication/ Protocol:

Design of the interface		without
-------------------------	--	---------





Ambient conditions:

Ambient temperature		
• during operation	°C	-40 ... +85
• during storage	°C	-40 ... +90

Installation/ mounting/ dimensions:

mounting position		any
Mounting type		lockable plug-in fixing

Certificates/ approvals:

General Product Approval	Declaration of Conformity	Test Certificates	other
 CSA	 UL	 EAC	 EG-Konf.
		Special Test Certificate	Vibration Test Certificates

other Confirmation
--

Further information

Information- and Downloadcenter (Catalogs, Brochures,...)

<http://www.siemens.com/industrial-controls/catalogs>

Industry Mall (Online ordering system)

<http://www.siemens.com/industrymall>

Cax online generator

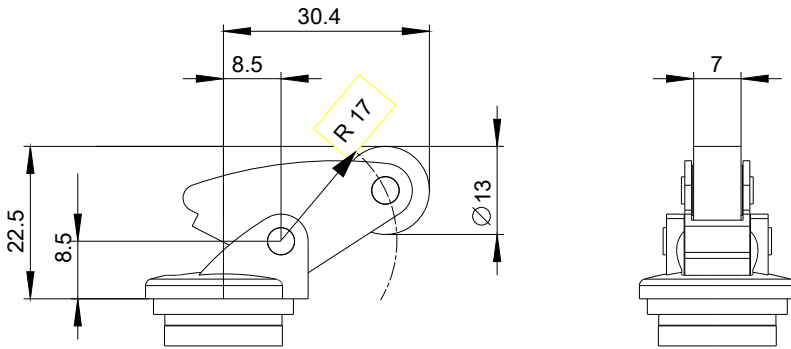
<http://support.automation.siemens.com/WW/CAXorder/default.aspx?lang=en&mlfb=3SE50000AF121AJ0>

Service&Support (Manuals, Certificates, Characteristics, FAQs,...)

<http://support.automation.siemens.com/WW/view/en/3SE50000AF121AJ0/all>

Image database (product images, 2D dimension drawings, 3D models, device circuit diagrams, EPLAN macros, ...)

http://www.automation.siemens.com/bilddb/cax_de.aspx?mlfb=3SE50000AF121AJ0&lang=en



last modified:

16.03.2015