

SIRIUS CABLE-OPER. SWITCH METAL HOUSING, 1X M16X1.5 1NO+1NC, LATCHES AC.EN ISO13850 KEY UNLATCHING FOR CABLES UP TO TO 50M



Product designation		cable-operated switch
General technical data:		
Protection class IP		IP65
Equipment marking		S
<ul style="list-style-type: none"> • acc. to DIN EN 61346-2 • acc. to DIN EN 81346-2 		S
Enclosure:		
Material of the enclosure		metal
Product component		Yes
<ul style="list-style-type: none"> • EMERGENCY STOP device 		
Color		grey
<ul style="list-style-type: none"> • of top part of the enclosure 		
Ambient conditions:		
Ambient temperature		-25 ... +70
<ul style="list-style-type: none"> • during operation 	°C	
Installation/ mounting/ dimensions:		
Mounting type		screw fixing
Height	mm	105
Width	mm	166
Depth	mm	71
Certificates/ approvals:		

General Product Approval	Declaration of Conformity	Shipping Approval
--------------------------	---------------------------	-------------------



CCC



CSA



EG-Konf.



ABS



LRS

Shipping Approval



PRS



RINA

Further information

Information- and Downloadcenter (Catalogs, Brochures,...)

<http://www.siemens.com/industrial-controls/catalogs>

Industry Mall (Online ordering system)

<http://www.siemens.com/industrymall>

Cax online generator

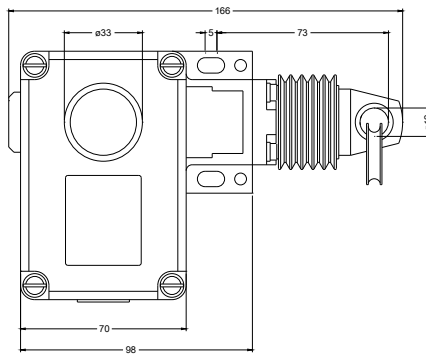
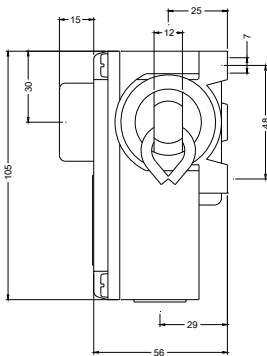
<http://support.automation.siemens.com/WW/CAXorder/default.aspx?lang=en&mlfb=3SE71401CD00>

Service&Support (Manuals, Certificates, Characteristics, FAQs,...)

<http://support.automation.siemens.com/WW/view/en/3SE71401CD00/all>

Image database (product images, 2D dimension drawings, 3D models, device circuit diagrams, EPLAN macros, ...)

http://www.automation.siemens.com/bilddb/cax_de.aspx?mlfb=3SE71401CD00&lang=en



last modified:

09.03.2015