

PRODUCT CHANGE NOTIFICATION

PCN Number: 437

Date of Issue: 09/29/2017

PCN Effective Date: 09/29/2017

Last Time Buy Date: -

Last Time Ship Date: -

Type of Change: DESIGN

Title of Change: PCN 437 Datasheet Update for 4303MC and 4304MC

Reason of Change: The dimensions of part numbers 4303MC and 4304MC are updated. The updated datasheet is available on the website.

The last page of this Product Change Notification shows the changed dimensions.

Notice: There have been no changes to the product itself, this is only a product datasheet update, available on the website.

Sannah Vinding

Director of Product Development & Marketing: _____

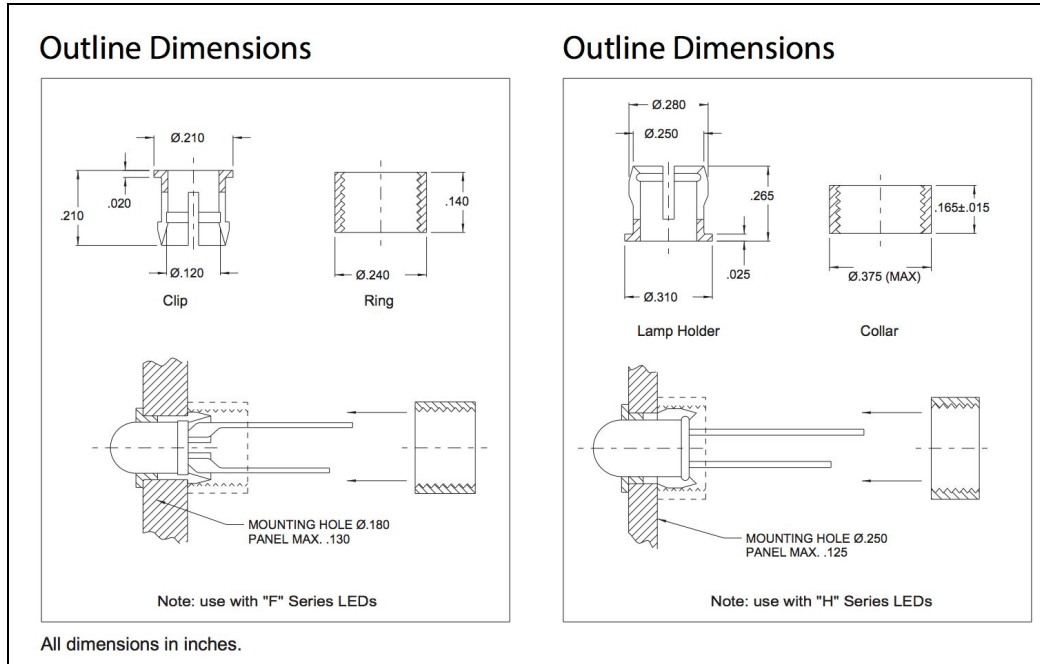


VCC Contact Name: customerservice@vcclite.com Phone Number: (800)5225546

Form 7.2.3-1 Product Change Notification Rev 02/11/2016

AFFECTED PART NUMBER		
Part Number	Description	Suggested Alternative Part Number(s)
4303MC	Mounting Clip For T1 (3mm) LED	-
4304MC	Mounting Clip for T1-3/4 (5mm) LED	-

Old Dimensions



New Dimensions

