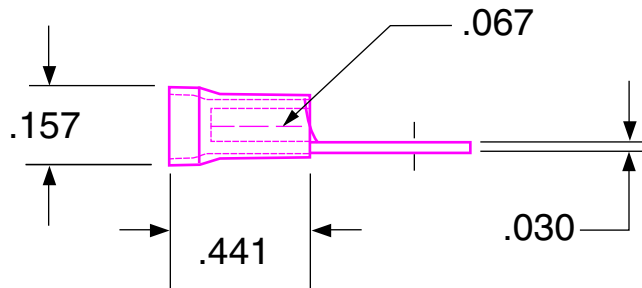
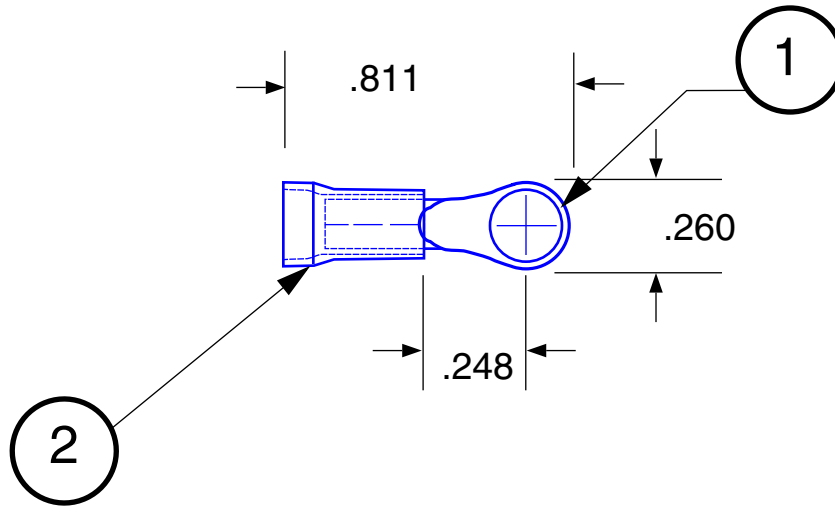


Ring Terminal - insulated  
 Part No: FVL2216M3R2

STUD SIZE #6

SYM.	CHANGES	BY	DATE



Max Electric Current: 22-16 AWG : 19 Amp  
 Max Electric Rating: 75° C / 600 V Max  
 Tolerance ±.020



**HOFFMAN PRODUCTS**

20700 Hubbell Avenue, Oak Park, MI 48237  
 Tel: 1-800-645-2014 • Fax: 1-800-908-1295  
 Web: www.hoffmanproducts.com

NO.	1	2	3
NAME	TERMINAL	INSULATOR	FUNNEL ENTRY
MAT'L.	COPPER	VINYL	COPPER
REMARKS	TIN-PLATED	RED	TIN-PLATED
APPROVED BY:	CHECKED BY:	DRAWN BY:	

DATE:	TITLE: <b>RING TERMINAL</b>	
SCALE: <b>FREE</b>	PART NO. <b>FVL2216M3R2</b>	
DRAWING NO. <b>H1515</b>	PART NAME	ISSUE

HOFFMAN CADFILE