

Ø 254x89 mm

SUNON

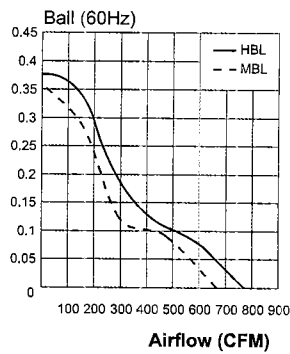
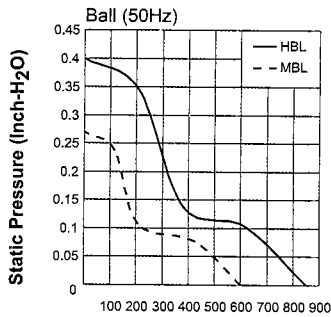
Alveolate Motor

600-850 CFM

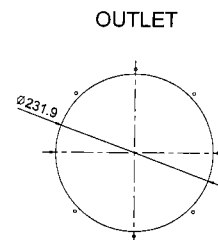
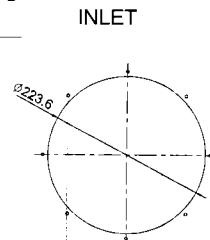
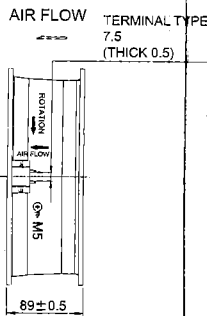
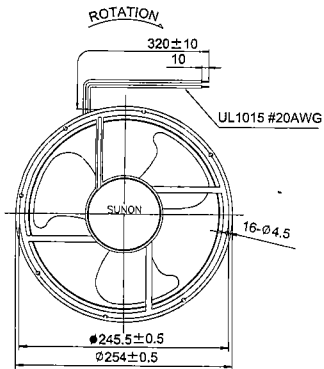


Model	P/N	Bearing	Rating Voltage (VAC)	Freq. (Hz)	Power Current (AMP)	Power Consumption (WATTS)	Speed (RPM)	Air Flow (CFM)	Static Pressure (Inch-H ₂ O)	Noise (dBA)	Weight (g)
A1259-MBL	TC.GN	● VAP0 ○ BALL ⊙ Sleeve	115	50/60	0.20/0.23	22/26	1400/1600	600/665	0.27/0.36	50/52	2000
A1259-MBT	TC.GN	○	115	50/60	0.20/0.23	22/26	1400/1600	600/665	0.27/0.36	50/52	2000
A2259-HBL	TC.GN	○	220-240	50/60	0.24/0.27	56/61	2100/1900	850/770	0.40/0.38	57/55	2000
A2259-HBT	TC.GN	○	220-240	50/60	0.24/0.27	56/61	2100/1900	850/770	0.40/0.38	57/55	2000
A2259-MBL	TC.GN	○	220-240	50/60	0.12/0.12	24/27	1400/1600	600/665	0.27/0.36	50/52	2000
A2259-MBT	TC.GN	○	220-240	50/60	0.12/0.12	24/27	1400/1600	600/665	0.27/0.36	50/52	2000

Frame : Aluminum alloy



UNITS:mm



*All model could be customized on voltage or any other requirements to fit your need.
 *Specifications subject to change without notice. Please Visit SUNON web site at <http://www.sunon.com> for update information.