

# 622/632-Series

## Miniature Rocker Switches

A high powered offering packed into a compact sized envelope, the 622/632-Series is a staple of numerous markets. With its silver-alloy butt contacts, the 622/632 will handle inrush spikes up to 125 amps and steady state current to 12A 125VAC. The lighted 632-Series features a multitude of illumination circuit options available with LED, incandescent and neon style lamps.

### Applications:

- ♦ Appliance
- ♦ Food Service
- ♦ Transportation
- ♦ General Purpose



**Carling Technologies®**  
Innovative Designs. Powerful Solutions.

Carling Technologies, Inc.  
60 Johnson Avenue • Plainville, CT 06062  
Phone: (860) 793-9281 • Fax: (860) 793-9231  
Email: [sales@carlingtech.com](mailto:sales@carlingtech.com) • [www.carlingtech.com](http://www.carlingtech.com)

### Dielectric Strength

UL/CSA:  
1000V-live to dead metal parts  
& opposite polarity

### Electrical Life

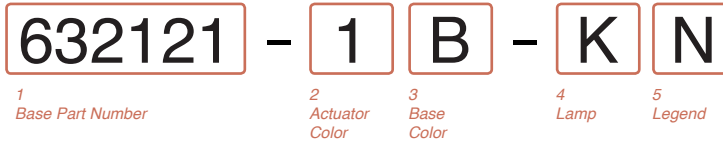
50,000 cycles

### Mechanical Life

100,000 cycles

### Operating Temperature

32°F to 185°F (0°C to 85°C)



**BASE PART NUMBER: SERIES/CIRCUITRY/RATING/TERMINATION**  
**8A 250VAC; 12A 125VAC; 1/2 HP 125-250VAC**  
**622-SERIES NON-ILLUMINATED ROCKER**

ON-none-OFF (Single Pole)	<b>622121</b>	<b>622122</b>
ON-none-OFF (Double Pole)	<b>622221</b>	<b>622222</b>
<b>632-SERIES ILLUMINATED ROCKER</b>		
ON-none-OFF (Single Pole, dependent lamp) schematic 1	<b>632121</b>	<b>632122</b>
ON-none-OFF (Single Pole, independent lamp) schematic 3	<b>632321</b>	<b>632322</b>
ON-none-OFF (Single Pole, independent lamp unballasted) schematic 5	<b>632521</b>	<b>632522</b>
ON-none-OFF (Double Pole, dependent lamp w/ 5 terms.) schematic 2	<b>632221</b>	<b>632222</b>
ON-none-OFF (Double Pole, dependent lamp w/ 4 terms.) schematic 4	<b>632421</b>	<b>632422</b>

Solder Lugs .187 Tabs

**3 ACTUATOR COLOR<sup>3</sup>**

<b>622 (non illuminated)</b>	<b>632 (Illuminated)</b>
B Black	1 Clear Amber
W White	2 Clear Red
	3 Clear Blue <sup>2</sup>
	4 Clear Green
	5 Clear

**4 LAMP VOLTAGE/STYLE<sup>1</sup>**

N 622 (non illuminated)	A 6V incandescent
1 unballasted LED	C 12V incandescent
2 6V LED	E 18V incandescent
3 12V LED	H 24V incandescent
4 24V LED	J 125V neon
	K 250V neon

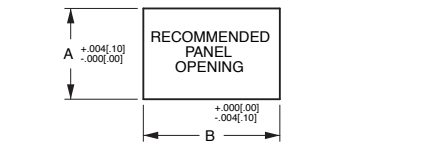
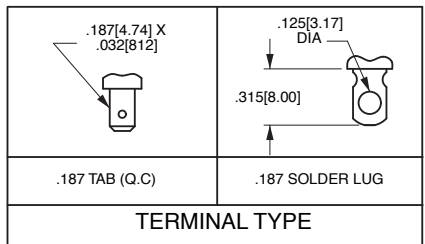
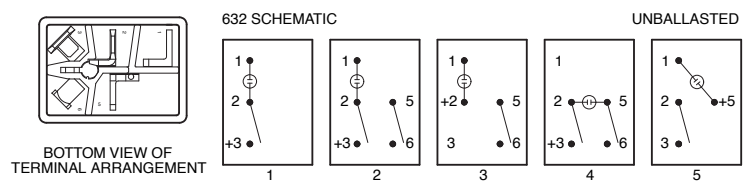
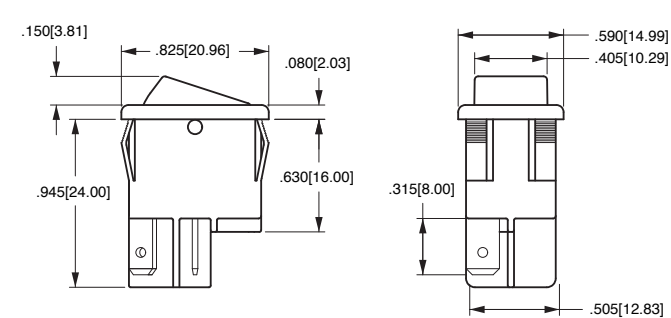
**3 BASE COLOR<sup>3</sup>**

B Black	W White
---------	---------

**5 ROCKER LEGEND**

N NO Legend
A OFF-ON vertical
B OFF-ON horizontal
D I-O horizontal
E I-O vertical
F O on rocker radius

Notes:  
 1 For all incandescent or LED lamps specify 5 in 5th digit of part number.  
 Example 632151-1B-CN  
 2 Available with incandescent lamps only.  
 3 Additional colors available. Consult factory for details.



PANEL THICKNESS	A	B
.030[.76]-.050[1.27]	.508[12.90]	.756[19.20]
.050[1.27]-.078[1.98]	.508[12.90]	.764[19.40]
.078[1.98]-.125[3.17]	.508[12.90]	.780[19.81]

\*Manufacturer reserves the right to change product specification without prior notice.