



ECONOMY RANGE

7.5mm pitch standard profile rising clamp terminal blocks

Product overview

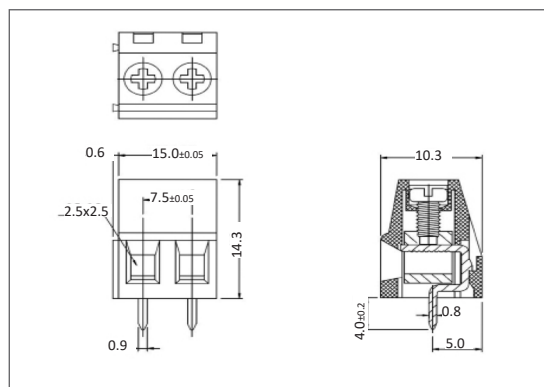
- 2 & 3 pole double interlocking mechanism for increased strength
- 4-12 solid block end stackable
- Moulded in green UL94-V0 flame retardant PA66
- Professional rising clamp terminals
- 0.33-3.3 mm² (22-12 AWG)
- Guided pin alignment
- Captive screws
- approved

CTB0112



| SPECIFICATION | |
|---------------------------|--------------------------------|
| Rating | 10A 300V |
| Insulation resistance | 5000M Ω /1000V |
| Withstand voltage | AC1500V/1min |
| Contact resistance | 20m Ω |
| Working temperature | -33°C to +120°C |
| Moulding | UL94-V0 flame retardant PA66 |
| Pin/terminal | Tin plated brass |
| Rising clamp | Nickel plated brass |
| Screw/torque | M2.5 steel, nickel pated 0.4Nm |
| Recommended PCB hole size | ϕ 1.5mm |

| PART NO. | POLES | LENGTH |
|------------|-------|--------|
| CTB0112/2 | 2 | 15mm |
| CTB0112/3 | 3 | 22.5mm |
| CTB0112/4 | 4 | 30mm |
| CTB0112/5 | 5 | 37.5mm |
| CTB0112/6 | 6 | 45mm |
| CTB0112/7 | 7 | 52.5mm |
| CTB0112/8 | 8 | 60mm |
| CTB0112/9 | 9 | 67.5mm |
| CTB0112/10 | 10 | 75mm |
| CTB0112/11 | 11 | 82.5mm |
| CTB0112/12 | 12 | 90mm |



KEY FEATURES

Professional rising clamps | UL94-V0 PA moulding | Interlocking

