

To. _____

Engineering department
 Tajima Factory, Japan
 Device Solutions Business Division
 Industrial Solutions Company
 Panasonic Corporation

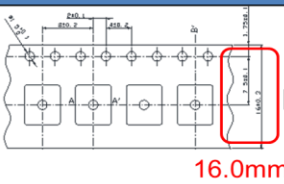
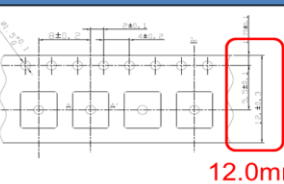
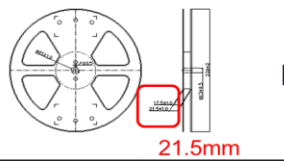
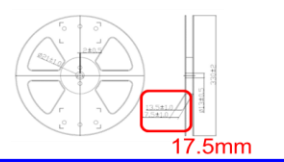
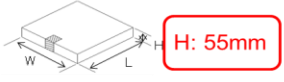
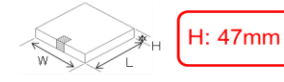
Notification : Change of packaging specifications
Power choke coil (ETQP3M*KVP type)**

1. Purpose

Panasonic produces both 16mm and 12mm for the ETQP3M *** KVP type. ETQP3M *** KVP (5x5x3mm) type packaging (carrier tape width) will be changed from 16mm to 12mm. Because the industry standard of ETQP3M***KVP type is 12mm width tape. 12mm tape will be the mainstream at Panasonic.

2. Part numbers subject to this cancellation
 Power choke coil ETQP3M***KVP

3. Change point

	Before	After
Carrier tape	 16.0mm	 12.0mm
Reel dimension	 21.5mm	 17.5mm
Outer box dimension	 H: 55mm	 H: 47mm

The outer box has become thinner and does not match the dimensions of the label.

5. Scedule Shipment in December 2021.

5. Consent

If you have any objections or concerns regarding this change, Please let us know by End of Aug 2021 .

* Thank you