

Product / Process Change Notification (PCN)

- Major change
 Minor change

PCN #: PCN_ConCIRCM12_20230517
Affected Series: WR-CIRCM12 -643621120308,643622120308
PCN Date: February 17, 2023
Effective Date: May 17, 2023

- Change Category:**
- Equipment / Location
 - General Data
 - Material
 - Process
 - Product Design
 - Shipping / Packaging
 - Supplier
 - Software

Contact: Product Management
Phone: +49 (0) 7942 - 945 5001
Fax: +49 (0) 7942 - 945 5179
E-Mail: pcn.eican@we-online.com

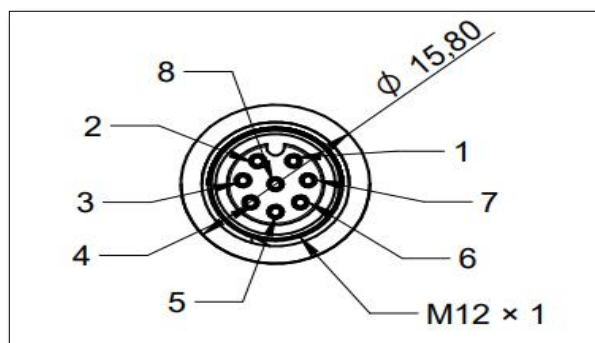
- Data Sheet Change:**
 Yes No
- Attachment:**
 Yes No

Description and purpose of change:

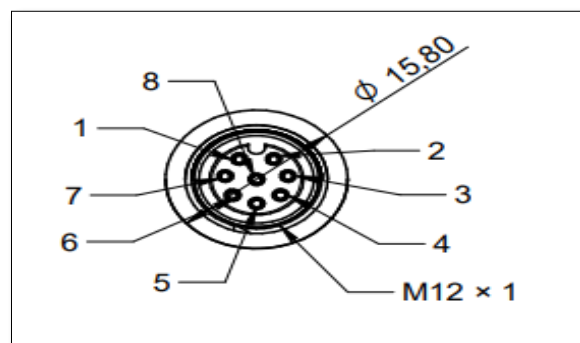
As a datasheet information amendment, Würth Elektronik will correct the pin numbering.
 This is a datasheet correction only. There will be no change in form, fit, function, quality or reliability of the product.

For part number: 643621120308

BEFORE

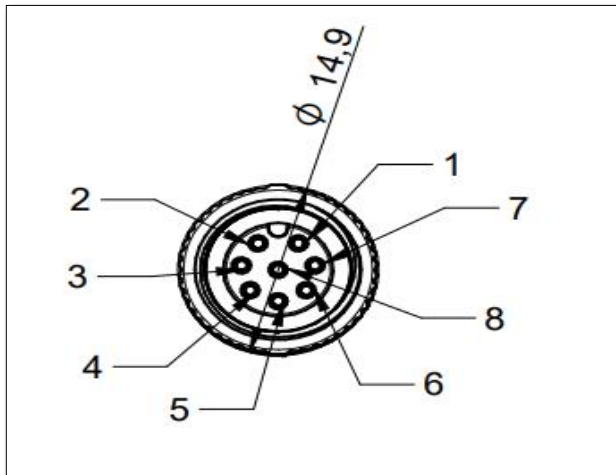


AFTER

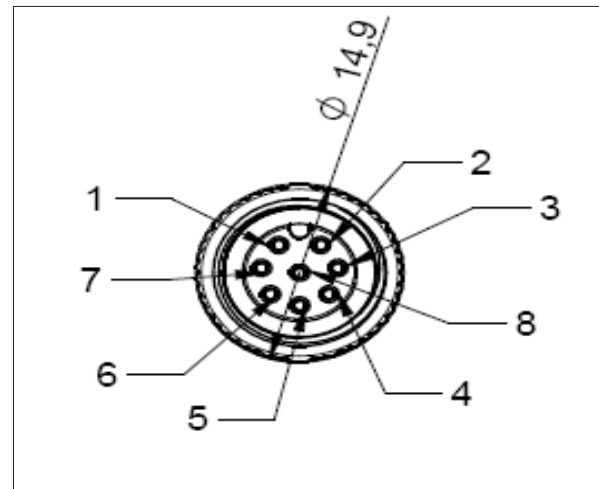


For part number: 643622120308

BEFORE



AFTER



Reliability / Qualification Summary:

There will be no change of the product, therefore no additional reliability or qualification testing will be performed.