

PrimaVision Twin for CDM

HID-PV C 2x35 /S CDM 220-240V 50/60Hz

Dual CDM lamp operation, single HID electronic gear – improves cost effectiveness and increases luminaire design flexibility



Product data

• General Characteristics

Application code	Int. Earth Loop
Design	-
Rated Lamptype	CDM
Rated Number of Lamps	2 piece
Rated Ballast-Lamp Power	35
Line Voltage	220-240 V
Line Frequency	50/60 Hz
Housing	/S
Suitable for Outdoor use?	No

• Operating Characteristics

Automatic restart	Yes
Ignition switch-off time	20 min
Ignition Voltage	4.5 (max) kV
Operating frequency *	0.14 kHz
Mains voltage safety (AC)	-18%/+10%
Mains voltage performance (AC)	-10%/+6%
Inrush current Peak	33 (max) A
Inrush current Width	0.5 ms
Earth leakage current	0.5 (max) mA
Power losses gear	8 W
Constant wattage deviation	-3%/+3%
PowerFactor 100% output power	0.95 -
Overvoltage protection 320Vac	48 hr

Max ballast on MCB(16A type B)	14 x
Hum and Noise level	Inaudible

• Wiring Characteristics

Cable-Cap output-wires mutual	120 pF
Connector type	Insert
Striplength	10.0-11.0 mm
Wcs Ballast contacts	0.50-2.50 mm ²

• Temperature Characteristics

Active temperature protection	Yes
F-marking	Yes
T-case life	70 C
T-case maximum	80 (max) C
T-ambient	-20 (min), 55 (max) C
T-storage	-25 (min), 80 (max) C

• Product Dimensions

Length A1	135.0 mm
Fixing Hole Distance	123.5 mm
Length A2	
Width B1	75.0 mm
Fixing Hole Distance	63.5 mm
Width B2	
Height C1	32.0 mm
Fixing Hole Diameter D1	4.5 mm

• Approval & Application Chars

EMI 9 kHz ... 300MHz	CISPR 15 ed 7.2
----------------------	-----------------

PHILIPS

PrimaVision Twin for CDM

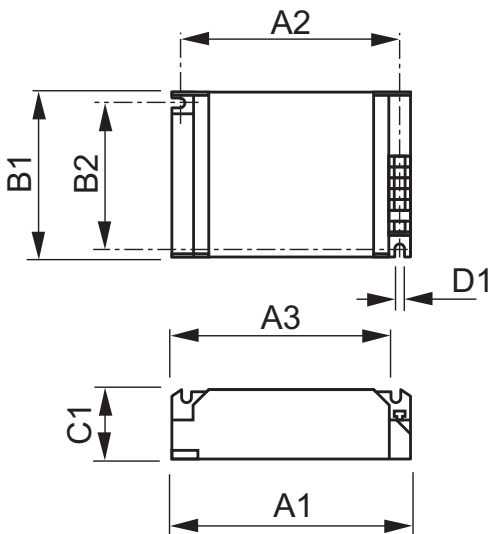
Vibrations	IEC 68-2-6 Fc
Bumps	IEC 68-2-29 Eb
CE marking	Yes
ENEC certificate	Yes
VDE certificate	No
VDE-EMV certificate	No
CB Certificate	Yes

Order product name	HID-PV C 2x35 /S CDM 220-240V 50/60Hz
Pieces per pack	1
Packing configuration	12
Packs per outerbox	12
Bar code on pack - EAN1	8711500881892
Bar code on outerbox - EAN3	8727900895728
Logistic code(s) - 12NC	913700656866
Net weight per piece	0.271 kg

• Product Data

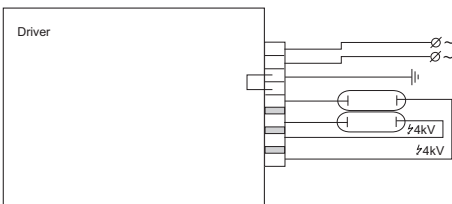
Order code	913700656866
Full product code	913700656866
Full product name	HID-PV C 2x35 /S CDM 220-240V 50/60Hz

Dimensional drawing



HID-PV C 2x35 /S CDM 220-240V 50/60Hz

Product	A1 (Norm)	A2 (Norm)	A3 (Norm)	A4 (Norm)	B1 (Norm)	B2 (Norm)	B3 (Norm)	C1 (Norm)	D1 (Norm)
HID-PV C 2x35 /S CDM 220-240V 50/60Hz	135.0	123.5	-	-	75.0	63.5	-	32.0	4.5



© 2014 Koninklijke Philips N.V. (Royal Philips)
All rights reserved.

Specifications are subject to change without notice. Trademarks are the property of Koninklijke Philips N.V. (Royal Philips) or their respective owners.

www.philips.com/lighting

2014, April 11
data subject to change