

63497-2 ✓ ACTIVE

## AMPLIVAR

TE Internal #: 63497-2

AMPLIVAR, Quick Disconnects, Tab, 24 – 19AWG Wire Size, .2 – .65mm<sup>2</sup> Wire Size, Quick Disconnect Mating Tab Width 1.52 mm [.06 in]

[View on TE.com >](#)



Terminals & Splices > Quick Disconnects



Terminal & Splice Type: **Tab**

Wire Size: .2 – .65 mm<sup>2</sup>

Quick Disconnect Mating Tab Width: 1.52 mm [.06 in]

Quick Disconnect Mating Tab Thickness: .81 mm [.032 in]

## Features

### Product Type Features

Wire Stop	No
Wire/Cable Type	Magnet Wire
Terminates To	Wire & Cable
Sealable	No
Insulated	No

### Configuration Features

Connection Capacity	Single
---------------------	--------

### Body Features

Fully Insulated	No
Quick Disconnect Plating Material	Tin

### Contact Features

Terminal Type	Tab
Terminal & Splice Type	Tab
Quick Disconnect Terminal Orientation	Straight



Contact Base Material	Brass
-----------------------	-------

Crimp Type	F-Crimp
------------	---------

Barrel Type	Open
-------------	------

### Mechanical Attachment

Wire Insulation Support	Without
-------------------------	---------

### Dimensions

Receptacle Terminal Stock Thickness	.51 mm[.02 in]
-------------------------------------	----------------

Wire Size	.2 – .65 mm <sup>2</sup>
-----------	--------------------------

Quick Disconnect Mating Tab Width	1.52 mm[.06 in]
-----------------------------------	-----------------

Quick Disconnect Mating Tab Thickness	.81 mm[.032 in]
---------------------------------------	-----------------

### Usage Conditions

Insulation Requirement	Uninsulated
------------------------	-------------

### Industry Standards

CSA Certified	Yes
---------------	-----

### Packaging Features

Packaging Quantity	7000
--------------------	------

Quick Disconnect Packaging Method	Reel
-----------------------------------	------

### Product Compliance

[For compliance documentation, visit the product page on TE.com>](#)

EU RoHS Directive 2011/65/EU	Compliant
------------------------------	-----------

EU ELV Directive 2000/53/EC	Compliant
-----------------------------	-----------

China RoHS 2 Directive MIIT Order No 32, 2016	No Restricted Materials Above Threshold
---	---

EU REACH Regulation (EC) No. 1907/2006	Current ECHA Candidate List: JAN 2021 (211) Candidate List Declared Against: JAN 2021 (211) Does not contain REACH SVHC
--	---

Halogen Content	Low Halogen - Br, Cl, F, I < 900 ppm per homogenous material. Also BFR/CFR/PVC Free
-----------------	---

Solder Process Capability	Not applicable for solder process capability
---------------------------	--

Product Compliance Disclaimer

This information is provided based on reasonable inquiry of our suppliers and represents our current actual knowledge based on the information they provided. This information is subject to change. The part numbers that TE has identified as EU RoHS compliant have a maximum concentration of 0.1% by weight in homogenous materials for lead, hexavalent chromium, mercury, PBB, PBDE, DBP, BBP, DEHP, DIBP, and 0.01% for cadmium, or qualify for an exemption to these limits as defined in the Annexes of Directive 2011/65/EU (RoHS2). Finished electrical and electronic equipment products will be CE marked as required by Directive 2011/65/EU. Components may not be CE marked. Additionally, the part numbers that TE has identified as EU ELV compliant have a maximum concentration of 0.1% by weight in homogenous materials for lead, hexavalent chromium, and mercury, and 0.01% for cadmium, or qualify for an exemption to these limits as defined in the Annexes of Directive 2000/53/EC (ELV). Regarding the REACH Regulation, the information TE provides on SVHC in articles for this part number is based on the latest European Chemicals Agency (ECHA) 'Guidance on requirements for substances in articles' posted at this URL: <https://echa.europa.eu/guidance-documents/guidance-on-reach>

## Compatible Parts





## Also in the Series | AMPLIVAR



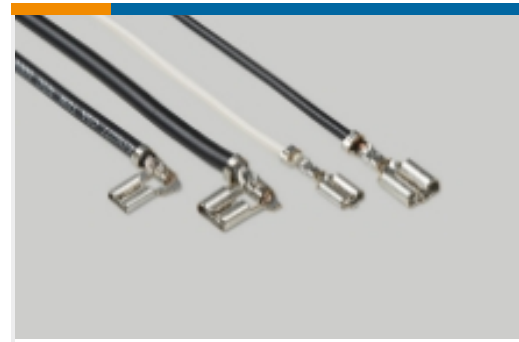
Crimp Wire Pins, Tabs & Ferrules(5)



Magnet Wire Terminals(5)



PCB Terminals(1)



Quick Disconnects(42)



Ring Terminals & Spade Terminals(28)



Splices(81)

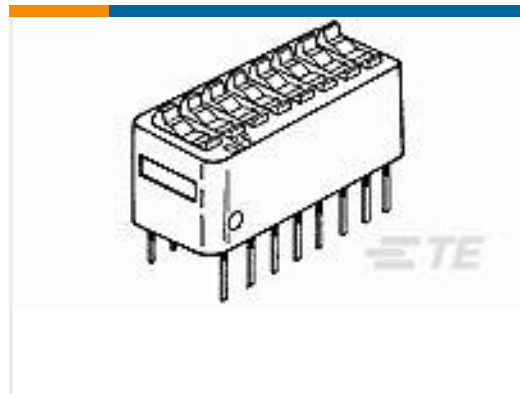
## Customers Also Bought



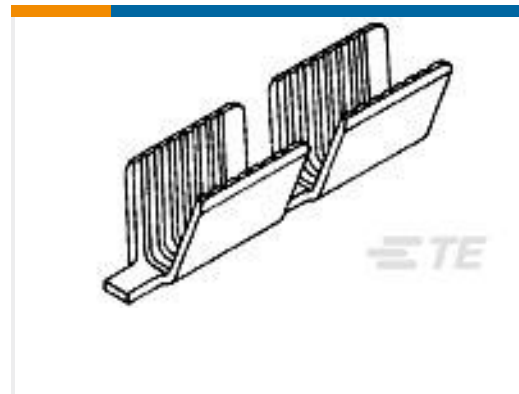
TE Part #1-292250-0  
CT 2mm Post Header Assembly Box H Kink



TE Part #1630027-7  
Power Resistors: Aluminum Housed, HSC



TE Part #4-5435640-1  
DIP SW 10 POSN SEALED



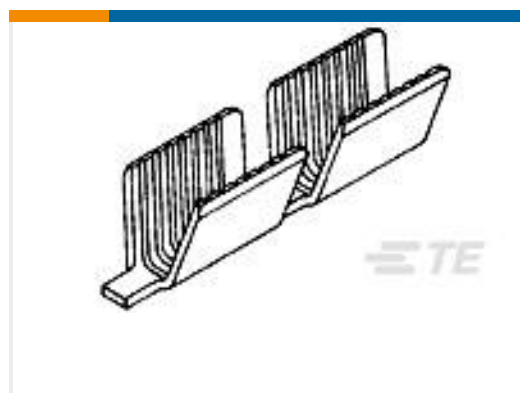
TE Part #62157-2  
SPLICE AMVAR600TO3000 .020TPBR



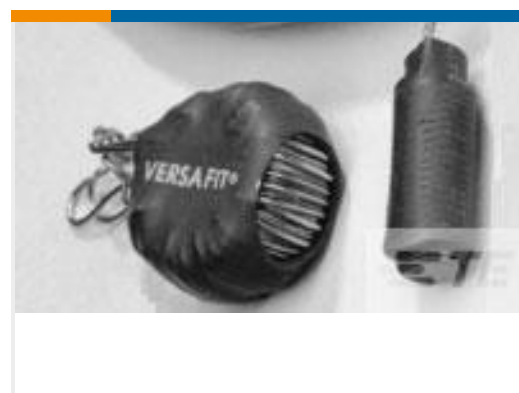
TE Part #34124-1  
SOLIS,RING,16-14,1/4,UNPLTD



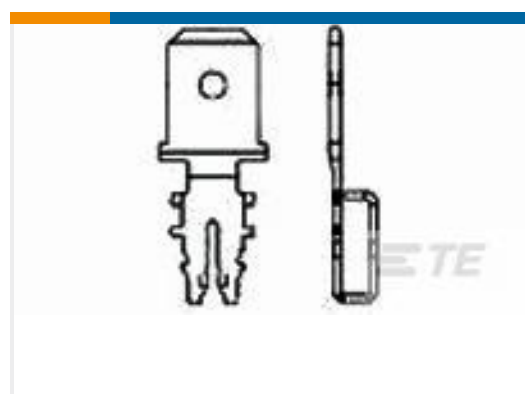
TE Part #4-103329-0  
40 MODII HDR SRRA B/A .100CL



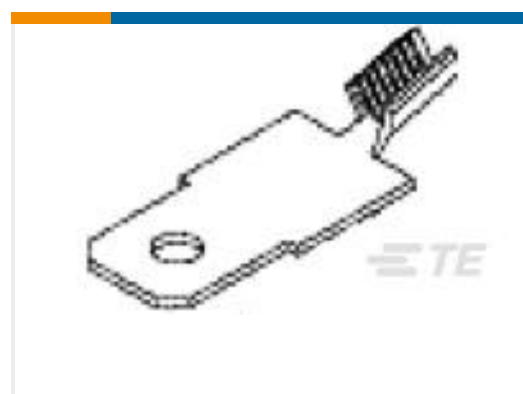
TE Part #62200-2  
SPLC AMVAR 600-3000 020TPBR



TE Part #994298-000  
VERSAFIT-1/4-0-22IN



TE Part #1742398-1  
TAB,FASTON,250 SERIES,MAG-MATE



TE Part #63165-1  
250 AMVAR FAST TAB 032TPBR



## Documents

### Product Drawings

#### AMPLIVAR TAB 032 TPBR

English

---

### CAD Files

#### 3D PDF

3D

#### 3D PDF

English

#### Customer View Model

[ENG\\_CVM\\_63497-2\\_H.3d\\_igs.zip](#)

English

#### Customer View Model

[ENG\\_CVM\\_63497-2\\_H.3d\\_stp.zip](#)

English

#### Customer View Model

[ENG\\_CVM\\_63497-2\\_H.2d\\_dxf.zip](#)

English

#### Customer View Model

[ENG\\_CVM\\_CVM\\_63497-2\\_S.2d\\_dxf.zip](#)

English

#### Customer View Model

[ENG\\_CVM\\_CVM\\_63497-2\\_S.3d\\_igs.zip](#)

English

#### Customer View Model

[ENG\\_CVM\\_CVM\\_63497-2\\_S.3d\\_stp.zip](#)

English

By downloading the CAD file I accept and agree to the [Terms and Conditions](#) of use.

---

### Product Specifications

#### Application Specification

English